



Radial insert ball bearings Housing units

Inch sizes

Radial insert ball bearings Housing units

	Page
Features	
Radial insert ball bearings	2
Compensation of misalignments	2
Location on the shaft	2
Sealing/lubrication.....	3
Corrotect® plating	4
Speed limits for radial insert ball bearings – guide values.....	4
Shaft tolerances for radial insert ball bearings – recommendations	5
Rolling Bearing Catalog HR1	5
Dimension tables	
Radial insert ball bearings	6
Features	
Housing units	10
Compensation of misalignments	10
Housing units with cast iron housing	11
Load carrying capacity of housings	12
Design of adjacent construction	12
Rolling Bearing Catalog HR1	12
Dimension tables	
Pillow block housing units	
Cast iron housings with long base.....	14
Pillow block housing units	
Cast iron housings with long base, low-section type.....	18
Two-bolt flanged housing units	
Cast iron housings	22
Four-bolt flanged housing units	
Cast iron housings	26
Other products	
Radial insert ball bearings	30
Housing units	31
Roller chain idler sprocket units, idler pulley units.....	32

Radial insert ball bearings

Features INA radial insert ball bearings are robust, ready-to-fit rolling bearings for the design of particularly economical bearing mounts. These robust machine elements are available in numerous designs that differ essentially in the outside surface of the outer ring, the method of location on the shaft and the sealing arrangement.

The classic areas of application for these bearings include the agricultural, construction and mining sector, conveying equipment, textile, paper and woodworking machinery as well as machines for the filling, timber and packaging industries.

Radial insert ball bearings comprise solid outer rings, inner rings extended on one or both sides, cages made from plastic or sheet steel and contact seals on both sides. Bearings with an inner ring extended on both sides undergo less tilting of the inner ring and therefore run more smoothly.

Inner rings and locking collars are plated with Corrotect®. For information on Corrotect®, see page 4.

Compensation of misalignment

The outer ring has a spherical or cylindrical outside surface.

In conjunction with an INA housing with a concave bore matched to the bearing design, bearings with a spherical outer ring can compensate static misalignments of the shaft, see Compensation of misalignments, page 10.

Location on the shaft

Radial insert ball bearings are located on the shaft by means of an eccentric locking collar or two set screws in the inner ring.

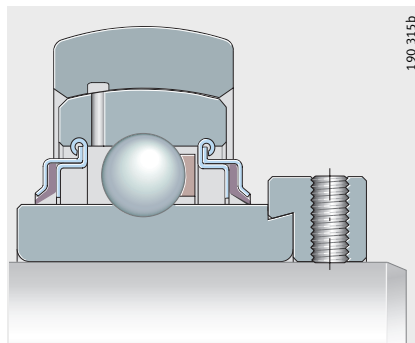
Radial insert ball bearings with eccentric locking collar

These “classic” INA radial insert ball bearings are located on the shaft by means of a locking collar, *Figure 1*. They are particularly suitable for bearing mounts with a constant direction of rotation or, under low speed and load, for an alternating direction of rotation.

The locking collar is preferably tightened in the direction of rotation and secured by means of a set screw. This location method prevents damage to the shaft and can be easily loosened again.

G...KRR-B-AS2/V

Figure 1
Location using eccentric locking collar



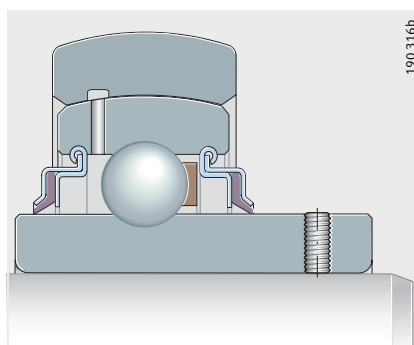
Radial insert ball bearings with set screws in the inner ring

In these radial insert ball bearings, the inner ring is located on the shaft by means of two set screws offset by 120°, *Figure 2*. This location method is suitable for bearing mounts with a constant direction of rotation or, under low speed and load, for an alternating direction of rotation.

The set screws are self-locking and have a fine-pitch thread with cup point for secure location of the bearings on the shaft.

GY...KRR-B-AS2/V

Figure 2
Location using set screws in the inner ring



Sealing/lubrication

The bearings are sealed on both sides by means of P or R type seals, see table Seal types.

P and R type seals are of a three-piece design. This concept ensures, due to the rigidly rolled-in sheet steel washer, optimum seating in the bearing as well as concentric alignment of the seal lip to the inner ring. In conjunction with the seal type and the sealing ring material, the bearings are thus reliable in operation even under difficult environmental conditions.

Radial insert ball bearings are greased and can be relubricated.

Seal types

P seal	
	<p>190 308a</p> <p>Two zinc-plated sheet steel washers with intermediate NBR part, seal lip axially preloaded.</p> <p>In order to protect the seal lip from mechanical damage, the outer sheet steel washer extends a considerable distance down towards the bearing inner ring.</p> <p>Used in narrow radial insert ball bearings with inner ring extended on one side.</p>
R seal	
	<p>190 309b</p> <p>Two zinc-plated sheet steel washers extended outwards and angled downwards with intermediate NBR part and radially preloaded seal lip.</p> <p>Better protection against mechanical damage.</p> <p>Substantial grease reservoir due to the space between the extended and angled sheet steel washers.</p> <p>Used in radial insert ball bearings with inner ring extended on both sides.</p>

Radial insert ball bearings

Corrotect® plating

The special INA plating Corrotect® is an economical alternative to traditional forms of corrosion protection for radial insert ball bearings.

Advantages of the Corrotect® plating

- All-round anti-corrosion protection – even on machined surfaces on chamfers and radii
- Long-term prevention of rust penetration beneath seals
- Small bright spots are protected against corrosion by the cathodic protection mechanism
- Anti-corrosion protection allows a significantly longer operating life compared to unplated parts
- Uncoated bearings and housings are fully interchangeable with the coated versions of the same design
- Bearings and housings made from corrosion-resistant rolling bearing steel are often no longer required.

Corrosion-resistant radial insert ball bearings are suitable where moisture, contaminated water, salt spray mist or weakly alkaline and weakly acidic cleaning agents are present.

For further information on Corrotect®, see also the section Anti-corrosion protection, catalog Rolling Bearings, HR1.

Speed limits for radial insert ball bearings – guide values

The speed limits are dependent on the load, the clearance between the bearing bore and shaft and the friction of the seals in bearings with contact seals.

Figure 3 gives guide values for the permissible speeds.

In the case of load ratios $C_r/P > 13$, the speeds can be increased. For these applications, please contact us.

If $C_r/P < 5$, location by means of interference fit is recommended.

Tightening torques for set screws

Hex key size	Thread	Tightening torque ¹⁾
		Nm
$3/32$	10 - 32 UNF	3,6
$1/8$	$1/4$ -28 UNF	6
$5/32$	$5/16$ -24 UNF	14
$3/16$	$3/8$ -24 UNF	26
$1/4$	$1/2$ -20 UNF	42

¹⁾ The tightening torques are valid for original INA set screws only.

Example of permissible speed calculation

Given:

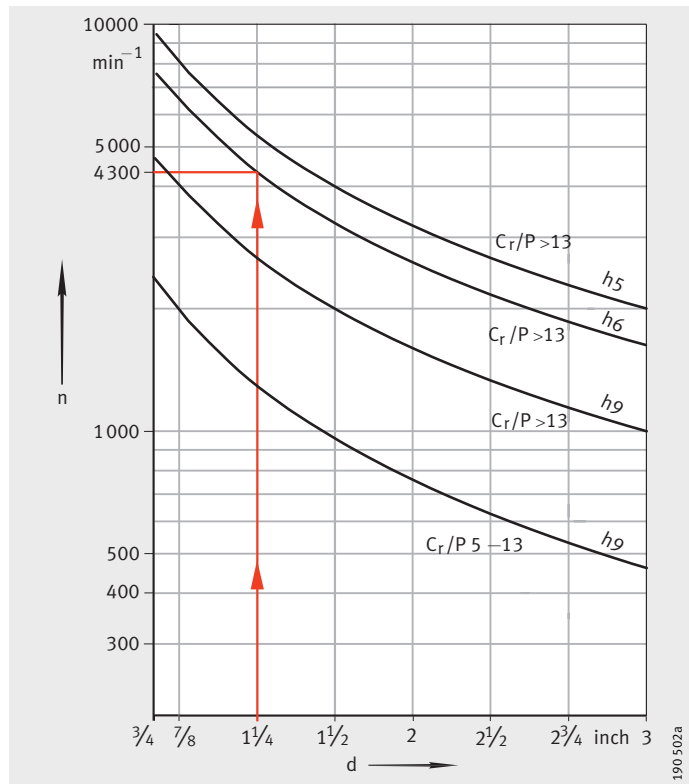
- Shaft tolerance h6
- Radial insert ball bearing GRA104-NPP-B-AS2/V
- Basic dynamic load rating C_r 19 500 N
- Load P 1 300 N
- Sealing P seals.

Required:

- Load ratio $C_r/P = 19\,500\text{ N}/1\,300\text{ N}$ $C_r/P > 13$
- Permissible speed $n \approx 4\,300\text{ min}^{-1}$, Figure 3.

d = bearing bore diameter
n = permissible speed

Figure 3
Permissible speeds for radial insert ball bearings



Shaft tolerances for radial insert ball bearings – recommendations

The permissible shaft tolerance is dependent on the speed and load. Tolerances from h6 to h9 are possible. Conventional drawn shafts will suffice for most applications.

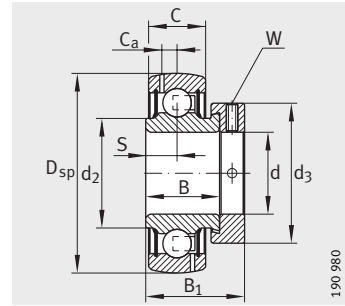
Rolling Bearing Catalog HR1

The complete standard range of radial insert ball bearings is described in comprehensive detail in the Rolling Bearing Catalog HR1.

Caution!

This catalog must be taken as the basis for design of bearing mounts.

Radial insert ball bearings



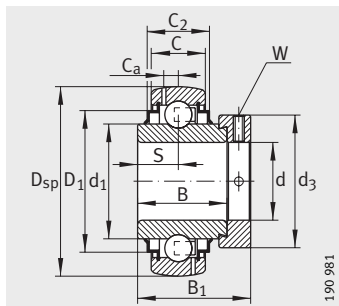
GRA...NPP-B-AS2/V

190 980

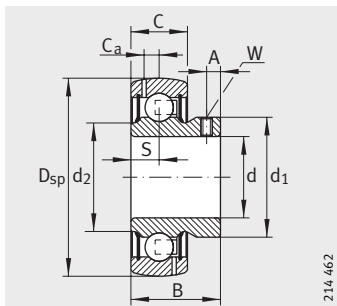
Dimension table · Dimensions in inch

Designation	Mass m ≈lbs	Dimensions					
		d	D _{sp}	C	C ₂	B	S
GRA008-NPP-B-AS2/V ¹⁾	0.26	1/2	1.5748	0.472	–	0.748	0.256
G1008-KRR-B-AS2/V ¹⁾	0.33	1/2	1.5748	0.472	0.654	1.094	0.547
GAY008-NPP-B-AS2/V ¹⁾	0.22	1/2	1.5748	0.472	–	0.866	0.236
GY1008-KRR-B-AS2/V	0.24	1/2	1.5748	0.472	0.654	1.079	0.453
GRA1010-NPP-B-AS2/V	0.26	5/8	1.5748	0.472	–	0.748	0.256
G1010-KRR-B-AS2/V	0.29	5/8	1.5748	0.472	0.654	1.094	0.547
GAY1010-NPP-B-AS2/V	0.20	5/8	1.5748	0.472	–	0.866	0.236
GY1010-KRR-B-AS2/V	0.22	5/8	1.5748	0.472	0.654	1.079	0.453
GRA1012-NPP-B-AS2/V	0.35	3/4	1.8504	0.551	–	0.843	0.295
G1012-KRR-B-AS2/V	0.46	3/4	1.8504	0.551	0.654	1.343	0.673
GAY1012-NPP-B-AS2/V	0.29	3/4	1.8504	0.551	–	0.984	0.276
GY1012-KRR-B-AS2/V	0.37	3/4	1.8504	0.551	0.654	1.220	0.500
GRA1014-NPP-B-AS2/V	0.42	7/8	2.0472	0.591	–	0.843	0.295
G1014-KRR-B-AS2/V	0.57	7/8	2.0472	0.591	0.654	1.374	0.689
GY1014-KRR-B-AS2/V	0.44	7/8	2.0472	0.591	0.654	1.343	0.563
G1015-KRR-B-AS2/V	0.55	15/16	2.0472	0.591	0.654	1.374	0.689
GY1015-KRR-B-AS2/V	0.44	15/16	2.0472	0.591	0.654	1.343	0.563
GRA100-NPP-B-AS2/V	0.42	1	2.0472	0.591	–	0.843	0.295
G1100-KRR-B-AS2/V	0.55	1	2.0472	0.591	0.654	1.374	0.689
GAY100-NPP-B-AS2/V	0.35	1	2.0472	0.591	–	1.063	0.295
GY1100-KRR-B-AS2/V	0.44	1	2.0472	0.591	0.654	1.343	0.563
GRA102-NPP-B-AS2/V	0.68	1 1/8	2.4409	0.709	–	0.937	0.354
G1102-KRR-B-AS2/V	0.84	1 1/8	2.4409	0.709	0.815	1.437	0.720
GY1102-KRR-B-AS2/V	0.73	1 1/8	2.4409	0.709	0.815	1.500	0.626
GRA103-NPP-B-AS2/V	0.68	1 3/16	2.4409	0.709	–	0.937	0.354
G1103-KRR-B-AS2/V	0.84	1 3/16	2.4409	0.709	0.815	1.437	0.720
GAY103-NPP-B-AS2/V ¹⁾	0.55	1 3/16	2.4409	0.709	–	1.181	0.354
GY1103-KRR-B-AS2/V	0.73	1 3/16	2.4409	0.709	0.815	1.500	0.626
GRA104-206-NPP-B-AS2/V	0.68	1 1/4	2.4409	0.709	–	0.937	0.354
GRA104-NPP-B-AS2/V	1.10	1 1/4	2.8346	0.748	–	1.000	0.374
G1104-206-KRR-B-AS2/V	0.84	1 1/4	2.4409	0.709	0.815	1.437	0.720
G1104-KRR-B-AS2/V	1.21	1 1/4	2.8346	0.748	0.886	1.484	0.740
GAY104-NPP-B-AS2/V	0.86	1 1/4	2.8346	0.748	–	1.378	0.374
GY1104-206-KRR-B-AS2/V	0.73	1 1/4	2.4409	0.709	0.815	1.500	0.626
GY1104-KRR-B-AS2/V	1.08	1 1/4	2.8346	0.748	0.886	1.689	0.689

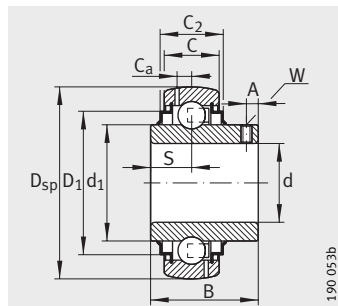
¹⁾ Subject to minimum order quantity.



G...KRR-B-AS2/V



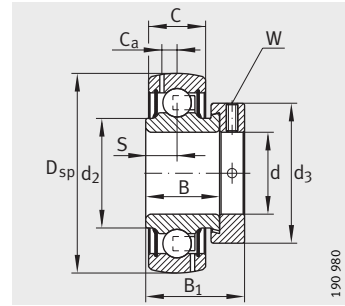
GAY...NPP-B-AS2/V



GY...KRR-B-AS2/V

								Basic load ratings	
d ₁	d ₂	D ₁	C _a	B ₁	d ₃	A	W	dyn. C _r lbf	stat. C _{0r} lbf
-	0.906	-	0.134	1.126	1.102	-	1/8	2 200	1 070
0.941	-	1.244	0.134	1.472	1.102	-	1/8	2 200	1 070
0.941	0.902	-	0.134	-	-	0.157	3/32	2 200	1 070
0.941	-	1.244	0.134	-	-	0.157	3/32	2 200	1 070
-	0.906	-	0.134	1.126	1.102	-	1/8	2 200	1 070
0.941	-	1.244	0.134	1.472	1.102	-	1/8	2 200	1 070
0.941	0.902	-	0.134	-	-	0.157	3/32	2 200	1 070
0.941	-	1.244	0.134	-	-	0.157	3/32	2 200	1 070
-	1.059	-	0.157	1.220	1.299	-	1/8	2 900	1 480
1.083	-	1.472	0.157	1.720	1.299	-	1/8	2 900	1 480
1.114	1.051	-	0.157	-	-	0.177	3/32	2 900	1 480
1.087	-	1.472	0.157	-	-	0.177	3/32	2 900	1 480
-	1.201	-	0.154	1.220	1.476	-	1/8	3 150	1 760
1.331	-	1.673	0.154	1.752	1.476	-	1/8	3 150	1 760
1.331	-	1.673	0.154	-	-	0.197	3/32	3 150	1 760
1.331	-	1.673	0.154	1.752	1.476	-	1/8	3 150	1 760
1.331	-	1.673	0.154	-	-	0.197	3/32	3 150	1 760
-	1.201	-	0.154	1.220	1.476	-	1/8	3 150	1 760
1.331	-	1.673	0.154	1.752	1.476	-	1/8	3 150	1 760
1.319	1.197	-	0.154	-	-	0.197	3/32	3 150	1 760
1.331	-	1.673	0.154	-	-	0.197	3/32	3 150	1 760
-	1.472	-	0.185	1.409	1.732	-	5/32	4 350	2 550
1.583	-	2.047	0.197	1.909	1.732	-	5/32	4 350	2 550
1.583	-	2.047	0.185	-	-	0.228	1/8	4 350	2 550
-	1.472	-	0.185	1.409	1.732	-	5/32	4 350	2 550
1.583	-	2.047	0.197	1.909	1.732	-	5/32	4 350	2 550
1.551	1.469	-	0.179	-	-	0.228	1/8	4 350	2 550
1.583	-	2.047	0.185	-	-	0.228	1/8	4 350	2 550
-	1.472	-	0.185	1.409	1.732	-	5/32	4 350	2 550
-	1.756	-	0.220	1.535	2.008	-	3/16	5 800	3 450
1.583	-	2.047	0.197	1.909	1.732	-	5/32	4 350	2 550
1.843	-	2.374	0.220	2.020	2.008	-	5/32	5 800	3 450
1.846	1.752	-	0.220	-	-	0.236	1/8	5 800	3 450
1.583	-	2.047	0.185	-	-	0.228	1/8	4 350	2 550
1.843	-	2.374	0.220	-	-	0.236	1/8	5 800	3 450

Radial insert ball bearings

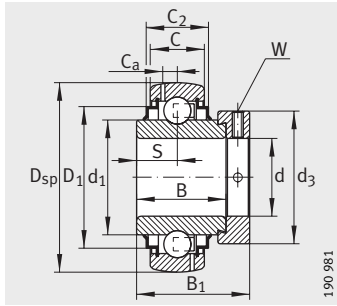


GRA...NPP-B-AS2/V

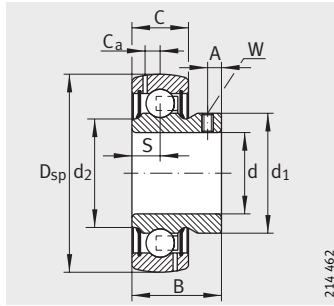
Dimension table (continued) - Dimensions in inch

Designation	Mass m ≈lbs	Dimensions					
		d	D _{sp}	C	C ₂	B	S
GRA106-NPP-B-AS2/V	1.10	1 ³ / ₈	2.8346	0.748	–	1.000	0.374
G1106-KRR-B-AS2/V	1.21	1 ³ / ₈	2.8346	0.748	0.886	1.484	0.740
GY1106-KRR-B-AS2/V	1.08	1 ³ / ₈	2.8346	0.748	0.886	1.689	0.689
GRA107-NPP-B-AS2/V	1.06	1 ⁷ / ₁₆	2.8346	0.748	–	1.000	0.374
G1107-KRR-B-AS2/V	1.21	1 ⁷ / ₁₆	2.8346	0.748	0.886	1.484	0.740
GAY107-NPP-B-AS2/V	0.86	1 ⁷ / ₁₆	2.8346	0.748	–	1.378	0.374
GY1107-KRR-B-AS2/V	1.08	1 ⁷ / ₁₆	2.8346	0.748	0.886	1.689	0.689
GRA108-NPP-B-AS2/V	1.39	1 ¹ / ₂	3.1496	0.827	–	1.189	0.433
G1108-KRR-B-AS2/V	1.76	1 ¹ / ₂	3.1496	0.827	0.925	1.689	0.843
GAY108-NPP-B-AS2/V ¹⁾	1.12	1 ¹ / ₂	3.1496	0.827	–	1.555	0.433
GY1108-KRR-B-AS2/V	1.43	1 ¹ / ₂	3.1496	0.827	0.925	1.937	0.748
G1110-KRR-B-AS2/V	1.78	1 ⁵ / ₈	3.3465	0.866	1.039	1.689	0.843
G1111-KRR-B-AS2/V	1.78	1 ¹¹ / ₁₆	3.3465	0.866	1.039	1.689	0.843
GY1111-KRR-B-AS2/V	1.54	1 ¹¹ / ₁₆	3.3465	0.866	1.039	1.937	0.748
GRA112-NPP-B-AS2/V	1.52	1 ³ / ₄	3.3465	0.866	–	1.189	0.433
G1112-KRR-B-AS2/V	1.78	1 ³ / ₄	3.3465	0.866	1.039	1.689	0.843
GY1112-KRR-B-AS2/V	1.54	1 ³ / ₄	3.3465	0.866	1.039	1.937	0.748
GRA115-NPP-B-AS2/V ¹⁾	1.69	1 ¹⁵ / ₁₆	3.5433	0.866	–	1.189	0.433
G1115-KRR-B-AS2/V	2.20	1 ¹⁵ / ₁₆	3.5433	0.866	1.039	1.937	0.969
GY1115-KRR-B-AS2/V	1.76	1 ¹⁵ / ₁₆	3.5433	0.866	1.039	2.031	0.748
GRA200-NPP-B-AS2/V ¹⁾	1.78	2	3.9370	0.984	–	1.280	0.472
G1200-KRR-B-AS2/V	3.12	2	3.9370	0.984	1.142	2.185	1.094
GY1200-KRR-B-AS2/V	2.42	2	3.9370	0.984	1.142	2.189	0.874
GRA203-NPP-B-AS2/V ¹⁾	1.78	2 ³ / ₁₆	3.9370	0.984	–	1.280	0.472
G1203-KRR-B-AS2/V	3.12	2 ³ / ₁₆	3.9370	0.984	1.142	2.185	1.094
GY1203-KRR-B-AS2/V	2.42	2 ³ / ₁₆	3.9370	0.984	1.142	2.189	0.874
GRA207-NPP-B-AS2/V ¹⁾	3.08	2 ⁷ / ₁₆	4.3307	0.945	–	1.461	0.531
G1207-KRR-B-AS2/V	4.05	2 ⁷ / ₁₆	4.3307	0.945	1.142	2.437	1.220
GY1207-KRR-B-AS2/V	2.90	2 ⁷ / ₁₆	4.3307	0.945	1.142	2.563	1.000
G1215-KRR-B-AS2/V	5.83	2 ¹⁵ / ₁₆	5.1181	1.102	1.201	1.949	0.846
GY1215-KRR-B-AS2/V	4.82	2 ¹⁵ / ₁₆	5.1181	1.102	1.201	3.063	1.311

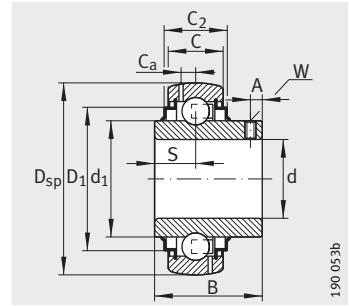
¹⁾ Subject to minimum order quantity.



G...KRR-B-AS2/V



GAY...NPP-B-AS2/V



GY...KRR-B-AS2/V

								Basic load ratings	
d ₁	d ₂	D ₁	C _a	B ₁	d ₃	A	W	dyn. C _r lbf	stat. C _{0r} lbf
-	1.756	-	0.220	1.535	2.008	-	³ / ₁₆	5 800	3 450
1.843	-	2.374	0.220	2.020	2.008	-	³ / ₁₆	5 800	3 450
1.843	-	2.374	0.220	-	-	0.236	¹ / ₈	5 800	3 450
-	1.756	-	0.220	1.535	2.008	-	³ / ₁₆	2 800	3 450
1.843	-	2.374	0.220	2.020	2.008	-	³ / ₁₆	5 800	3 450
1.846	1.752	-	0.220	-	-	0.236	¹ / ₈	5 800	3 450
1.843	-	2.374	0.220	-	-	0.236	¹ / ₈	5 800	3 450
-	1.945	-	0.252	1.724	2.283	-	³ / ₁₆	7 300	4 450
2.059	-	2.689	0.252	2.224	2.283	-	³ / ₁₆	7 300	4 450
2.063	1.941	-	0.252	-	-	0.315	⁵ / ₃₂	7 300	4 450
2.059	-	2.689	0.252	-	-	0.315	⁵ / ₃₂	7 300	4 450
2.280	-	2.846	0.252	2.224	2.480	-	³ / ₁₆	7 400	4 600
2.280	-	2.846	0.252	2.224	2.480	-	³ / ₁₆	7 400	4 600
2.244	-	2.846	0.252	-	-	0.315	⁵ / ₃₂	7 400	4 600
-	2.138	-	0.252	1.724	2.480	-	³ / ₁₆	7 300	4 600
2.280	-	2.846	0.252	2.224	2.480	-	³ / ₁₆	7 400	4 600
2.244	-	2.846	0.252	-	-	0.315	⁵ / ₃₂	7 400	4 600
-	2.339	-	0.272	1.724	2.717	-	³ / ₁₆	7 900	5 200
2.472	-	3.043	0.272	2.472	2.717	-	³ / ₁₆	7 900	5 200
2.472	-	3.043	0.272	-	-	0.335	⁵ / ₃₂	7 900	5 200
-	2.598	-	0.276	1.906	2.992	-	³ / ₁₆	9 800	6 500
2.748	-	3.382	0.276	2.811	2.992	-	³ / ₁₆	9 800	6 500
2.748	-	3.382	0.276	-	-	0.354	⁵ / ₃₂	9 800	6 500
-	2.598	-	0.276	1.906	2.992	-	³ / ₁₆	9 800	6 500
2.748	-	3.382	0.276	2.811	2.992	-	³ / ₁₆	9 800	6 500
2.748	-	3.382	0.276	-	-	0.354	⁵ / ₃₂	9 800	6 500
-	2.835	-	0.283	2.091	3.307	-	³ / ₁₆	11 700	8 100
3.012	-	3.720	0.283	3.067	3.307	-	³ / ₁₆	11 700	8 100
3.012	-	3.720	0.283	-	-	0.398	³ / ₁₆	11 700	8 100
3.543	-	4.449	0.335	2.638	3.937	-	¹ / ₄	13 950	10 000
3.543	-	4.449	0.335	-	-	0.500	³ / ₁₆	13 950	10 000

Housing units

Features INA housing units are available as pillow block and flanged housing units in numerous different designs.

The units are ready-to-fit and comprise INA cast iron housings with a concave bore in which INA radial insert ball bearings are fitted. In order to ensure function and reliability under all operating conditions, the bearings and housings are matched to each other.

Due to the wide range of housing designs, the right solution can be found for any specific application. The areas of application of the units correspond to those of the insert bearings.

Due to the spherical outside surface of the bearing outer ring and the concave housing bore, housing units can compensate for static angular misalignment of the shaft; see Compensation of misalignments, *Figure 1*.

The units are used predominantly as locating bearings, but are also suitable as non-locating bearings under low loads and speeds.

Bolts are used to fasten the housings to the mounting surfaces. Less stringent tolerances are adequate for the bolts mounting surfaces; see Design of adjacent construction, page 12.

Compensation of misalignments

Units with a spherical outer ring and concave housing bore can compensate for static misalignment of the shaft, *Figure 1*:

- if relubrication is used, up to $\pm 2.5^\circ$
- if relubrication is not used, up to $\pm 5^\circ$.

Caution! These units are not suitable for dynamic misalignment; continuous swiveling or tumbling of the bearing within the housing will cause premature failure.

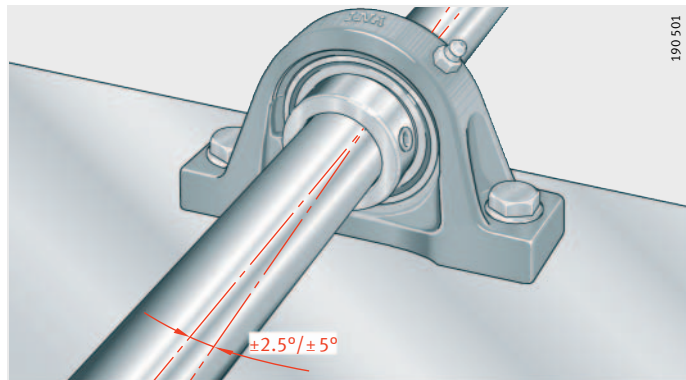


Figure 1
Compensation of static shaft misalignment

Housing units with cast iron housing

Cast iron housings are single-piece units with high load carrying capacity; see Load carrying capacity of housings, page 12.

For relubrication of the radial insert ball bearings, the housing bore has a lubrication groove and the housing has a lubrication hole for conventional lubrication nipples.

Cast iron units are available as pillow block and flanged housing units, *Figure 2* and *Figure 3*.

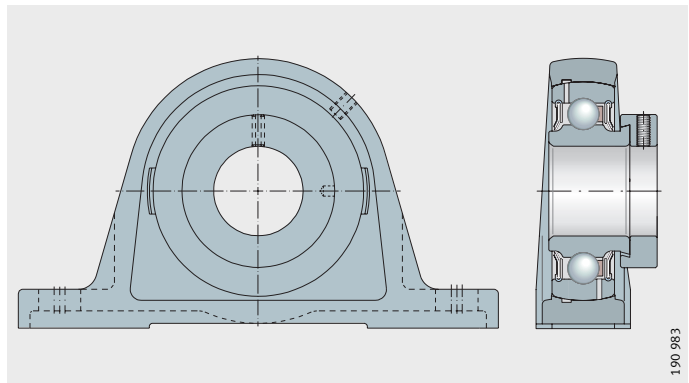
Housing materials

The material used for the cast iron housings is cast iron to ASTM A48 Class 30.

PASE

Figure 2

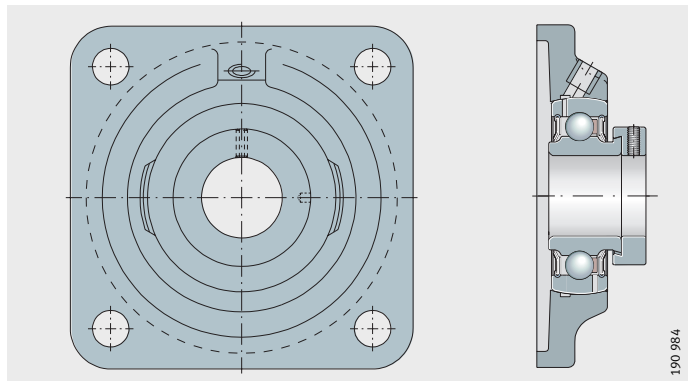
Pillow block housing unit – cast iron housing, long base



PCJT

Figure 3

Flanged housing unit – cast iron housing



Housing units

Load carrying capacity of housings

Caution! Due to their versatile characteristics, INA housings can be used without difficulty in almost all industrial sectors.

If bearing mounts are planned for equipment in which a malfunction could be hazardous to persons or an unplanned stoppage of the machine could cause major disruption, it is essential that you consult us before proceeding with the design.

Cast iron housings – radial load carrying capacity

Cast iron housings can support the same radial loads as the radial insert ball bearings fitted. The static load carrying capacity of the radial insert ball bearings C_{0r} is stated in the dimension tables. For shock loads, appropriate safety factors must be applied. In this case, please contact us.

Axial load carrying capacity

The axial load carrying capacity of cast iron housings is restricted to $0.50 \times C_{0r}$.

Design of adjacent construction Bolts mounting surfaces

Recommendations for the bolt mounting surfaces:

- roughness of the bolt mounting surfaces max. $R_a 12,5$ ($R_z 63$)
- geometrical and positional tolerance 0,04/100 concave, spherical not permissible.

Mounting bolts

Bolts should be grade 5 or better and washers and/or lock washers are recommended.

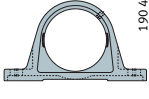
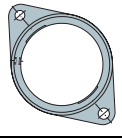
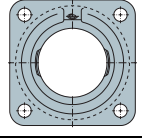
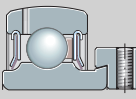
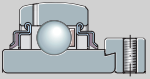
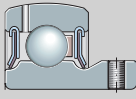
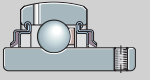
The bolts are not included in the delivery.

Rolling Bearing Catalog HR1

The complete standard range of radial insert ball bearings is described in comprehensive detail in the Rolling Bearing Catalog HR1.

Caution! This catalog must be taken as the basis for the design of bearing mounts.

**Possible combinations –
radial insert ball bearings
with cast iron housings**

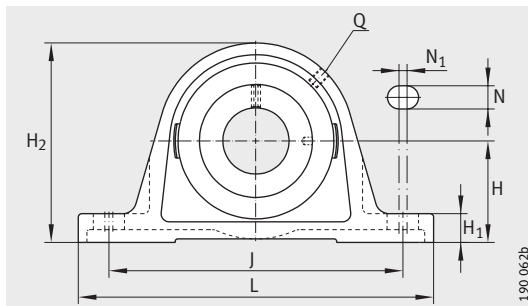
Radial insert ball bearings	Housings		
	Pillow block unit	Two-bolt flanged unit	Four-bolt flanged unit
	 190.431c	 190.434b	 190.437c
GG.ASE GG.AK	GG.CJT	GG.CJ	
GRA..NPP-B-AS2/V  190.425a	PASE PAK	PCJT	PCJ
G..KRR-B-AS2/V  190.424a	RASE RAK	RCJT	RCJ
GAY..NPP-B-AS2/V  190.429a	PASEY PAKY	PCJTY	PCJY
GY..KRR-B-AS2/V  190.430d	RASEY RAKY	RCJTY	RCJY

Catalog range:

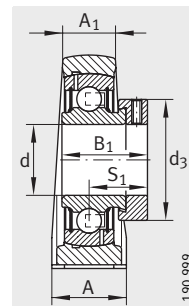
- Other sizes and combinations may be available by agreement.

Pillow block housing units

Cast iron housings with long base



PASE, RASE, PASEY, RASEY

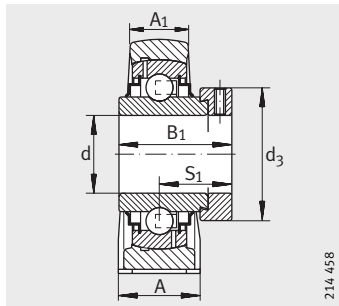


PASE

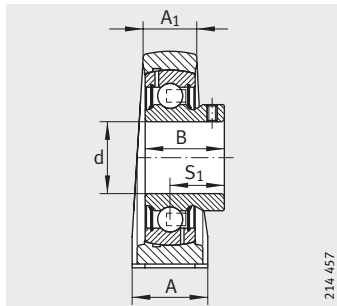
Dimension table · Dimensions in inch

Designation	Housing	Radial insert ball bearing	Mass m ≈lbs	Dimensions			
				d	H	J	L
PASE1/2 ¹⁾	GG.ASE03	GRA008-NPP-B-AS2/V	1.12	1/2	1.189	3.622	4.921
RASE1/2 ¹⁾	GG.ASE03	G1008-KRR-B-AS2/V	1.19	1/2	1.189	3.622	4.921
PASEY1/2 ¹⁾	GG.ASE03	GAY008-NPP-B-AS2/V	1.08	1/2	1.189	3.622	4.921
RASEY1/2	GG.ASE03	GY1008-KRR-B-AS2/V	1.10	1/2	1.189	3.622	4.921
PASE5/8	GG.ASE03	GRA010-NPP-B-AS2/V	1.12	5/8	1.189	3.622	4.921
RASE5/8	GG.ASE03	G1010-KRR-B-AS2/V	1.15	5/8	1.189	3.622	4.921
PASEY5/8	GG.ASE03	GAY010-NPP-B-AS2/V	1.06	5/8	1.189	3.622	4.921
RASEY5/8	GG.ASE03	GY1010-KRR-B-AS2/V	1.08	5/8	1.189	3.622	4.921
PASE3/4	GG.ASE04	GRA012-NPP-B-AS2/V	1.30	3/4	1.311	3.780	5.118
RASE3/4	GG.ASE04	G1012-KRR-B-AS2/V	1.41	3/4	1.311	3.780	5.118
PASEY3/4	GG.ASE04	GAY012-NPP-B-AS2/V	1.24	3/4	1.311	3.780	5.118
RASEY3/4	GG.ASE04	GY1012-KRR-B-AS2/V	1.32	3/4	1.311	3.780	5.118
PASE7/8	GG.ASE05	GRA014-NPP-B-AS2/V	1.83	7/8	1.438	4.126	5.500
RASE7/8	GG.ASE05	G1014-KRR-B-AS2/V	1.98	7/8	1.438	4.126	5.500
PASEY7/8	GG.ASE05	GAY014-KRR-B-AS2/V	1.85	7/8	1.438	4.126	5.500
RASEY7/8	GG.ASE05	GY1014-KRR-B-AS2/V	1.85	7/8	1.438	4.126	5.500
RASE15/16	GG.ASE05	G1015-KRR-B-AS2/V	1.96	15/16	1.438	4.126	5.500
RASEY15/16	GG.ASE05	GY1015-KRR-B-AS2/V	1.85	15/16	1.438	4.126	5.500
PASE1	GG.ASE05	GRA100-NPP-B-AS2/V	1.83	1	1.438	4.126	5.500
RASE1	GG.ASE05	G1100-KRR-B-AS2/V	1.96	1	1.438	4.126	5.500
PASEY1	GG.ASE05	GAY100-NPP-B-AS2/V	1.76	1	1.438	4.126	5.500
RASEY1	GG.ASE05	GY1100-KRR-B-AS2/V	1.85	1	1.438	4.126	5.500
PASE1-1/8	GG.ASE06	GRA102-NPP-B-AS2/V	2.71	1 1/8	1.689	4.626	6.189
RASE1-1/8	GG.ASE06	G1102-KRR-B-AS2/V	2.87	1 1/8	1.689	4.626	6.189
RASEY1-1/8	GG.ASE06	GY1102-KRR-B-AS2/V	2.76	1 1/8	1.689	4.626	6.189
PASE1-3/16	GG.ASE06	GRA103-NPP-B-AS2/V	2.71	1 3/16	1.689	4.626	6.189
RASE1-3/16	GG.ASE06	G1103-KRR-B-AS2/V	2.87	1 3/16	1.689	4.626	6.189
PASEY1-3/16 ¹⁾	GG.ASE06	GAY103-NPP-B-AS2/V	2.58	1 3/16	1.689	4.626	6.189
RASEY1-3/16	GG.ASE06	GY1103-KRR-B-AS2/V	2.76	1 3/16	1.689	4.626	6.189
PASE1-1/4-206	GG.ASE06	GRA104-206-NPP-B-AS2/V	2.71	1 1/4	1.689	4.626	6.189
RASE1-1/4-206	GG.ASE06	G1104-206-KRR-B-AS2/V	2.87	1 1/4	1.689	4.626	6.189
RASEY1-1/4-206	GG.ASE06	GY1104-206-KRR-B-AS2/V	2.76	1 1/4	1.689	4.626	6.189
PASE1-1/4	GG.ASE07	GRA104-NPP-B-AS2/V	3.79	1 1/4	1.874	5.118	6.772
RASE1-1/4	GG.ASE07	G1104-KRR-B-AS2/V	3.90	1 1/4	1.874	5.118	6.772
PASEY1-1/4	GG.ASE07	GAY104-NPP-B-AS2/V	3.55	1 1/4	1.874	5.118	6.772
RASEY1-1/4	GG.ASE07	GY1104-KRR-B-AS2/V	3.77	1 1/4	1.874	5.118	6.772

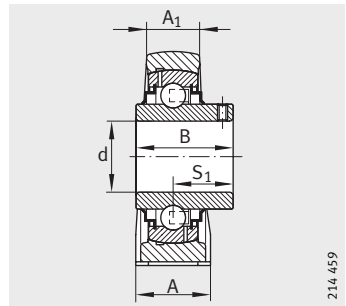
1) Subject to minimum order quantity.



RASE



PASEY

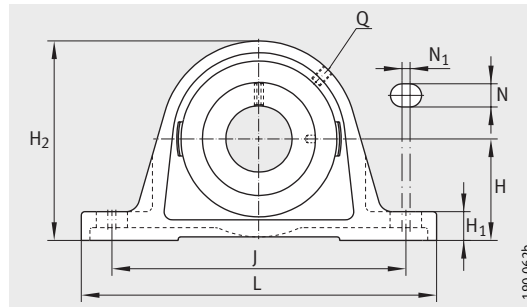


RASEY

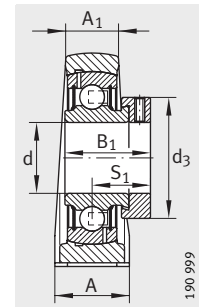
											Basic load ratings	
A	A ₁	H ₁	H ₂	N	N ₁	B/B ₁	S ₁	Q	d ₃	dyn. C _r lbf	stat. C _{0r} lbf	
1.260	0.748	0.551	2.283	0.433	0.433	1.126	0.870	1/4-28 UNF	1.102	2 220	1 070	
1.260	0.748	0.551	2.283	0.433	0.433	1.472	0.925	1/4-28 UNF	1.102	2 220	1 070	
1.260	0.748	0.551	2.283	0.433	0.433	0.866	0.630	1/4-28 UNF	-	2 220	1 070	
1.260	0.748	0.551	2.283	0.433	0.433	1.079	0.626	1/4-28 UNF	-	2 220	1 070	
1.260	0.748	0.551	2.283	0.433	0.433	1.126	0.870	1/4-28 UNF	1.102	2 220	1 070	
1.260	0.748	0.551	2.283	0.433	0.433	1.472	0.925	1/4-28 UNF	1.102	2 220	1 070	
1.260	0.748	0.551	2.283	0.433	0.433	0.866	0.630	1/4-28 UNF	-	2 220	1 070	
1.260	0.748	0.551	2.283	0.433	0.433	1.079	0.626	1/4-28 UNF	-	2 220	1 070	
1.260	0.787	0.571	2.531	0.433	0.354	1.220	0.925	1/4-28 UNF	1.299	2 900	1 480	
1.260	0.787	0.571	2.531	0.433	0.354	1.720	1.047	1/4-28 UNF	1.299	2 900	1 480	
1.260	0.787	0.571	2.531	0.433	0.354	0.984	0.709	1/4-28 UNF	-	2 900	1 480	
1.260	0.787	0.571	2.531	0.433	0.354	1.220	0.720	1/4-28 UNF	-	2 900	1 480	
1.457	0.866	0.610	2.813	0.472	0.374	1.220	0.925	1/8 NPT	1.476	3 150	1 760	
1.457	0.866	0.610	2.813	0.472	0.374	1.752	1.063	1/8 NPT	1.476	3 150	1 760	
1.457	0.866	0.610	2.813	0.472	0.374	1.343	0.780	1/8 NPT	-	3 150	1 760	
1.457	0.866	0.610	2.813	0.472	0.374	1.752	1.063	1/8 NPT	1.476	3 150	1 760	
1.457	0.866	0.610	2.813	0.472	0.374	1.343	0.780	1/8 NPT	-	3 150	1 760	
1.457	0.866	0.610	2.813	0.472	0.374	1.220	0.925	1/8 NPT	1.476	3 150	1 760	
1.457	0.866	0.610	2.813	0.472	0.374	1.752	1.063	1/8 NPT	1.476	3 150	1 760	
1.457	0.866	0.610	2.813	0.472	0.374	1.063	0.768	1/8 NPT	-	3 150	1 760	
1.457	0.866	0.610	2.813	0.472	0.374	1.343	0.780	1/8 NPT	-	3 150	1 760	
1.673	1.063	0.709	3.283	0.591	0.374	1.409	1.055	1/8 NPT	1.732	4 350	2 550	
1.673	1.063	0.709	3.283	0.591	0.374	1.909	1.189	1/8 NPT	1.732	4 350	2 550	
1.673	1.063	0.709	3.283	0.591	0.374	1.500	0.874	1/8 NPT	-	4 350	2 550	
1.673	1.063	0.709	3.283	0.591	0.374	1.409	1.055	1/8 NPT	1.732	4 350	2 550	
1.673	1.063	0.709	3.283	0.591	0.374	1.909	1.189	1/8 NPT	1.732	4 350	2 550	
1.673	1.063	0.709	3.283	0.591	0.374	1.181	0.827	1/8 NPT	-	4 350	2 550	
1.673	1.063	0.709	3.283	0.591	0.374	1.500	0.874	1/8 NPT	-	4 350	2 550	
1.673	1.063	0.709	3.283	0.591	0.374	1.409	1.055	1/8 NPT	1.732	4 350	2 550	
1.673	1.063	0.709	3.283	0.591	0.374	1.909	1.189	1/8 NPT	1.732	4 350	2 550	
1.673	1.063	0.709	3.283	0.591	0.374	1.500	0.874	1/8 NPT	-	4 350	2 550	
1.831	1.102	0.748	3.689	0.591	0.311	1.535	1.161	1/8 NPT	2.008	5 800	3 450	
1.831	1.102	0.748	3.689	0.591	0.311	2.020	1.280	1/8 NPT	2.008	5 800	3 450	
1.831	1.102	0.748	3.689	0.591	0.311	1.378	1.004	1/8 NPT	-	5 800	3 450	
1.831	1.102	0.748	3.689	0.591	0.311	1.689	1.000	1/8 NPT	-	5 800	3 450	

Pillow block housing units

Cast iron housings with long base



PASE, RASE, PASEY, RASEY

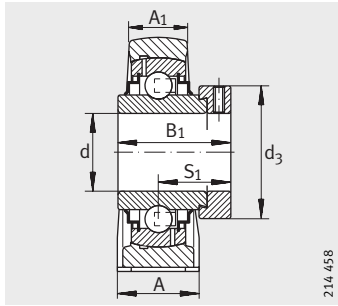


PASE

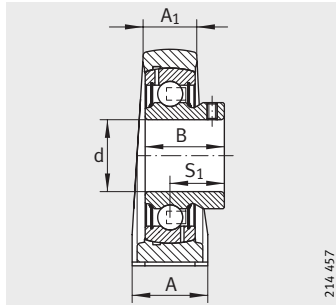
Dimension table (continued) - Dimensions in inch

Designation	Housing	Radial insert ball bearing	Mass m ≈ lbs	Dimensions			
				d	H	J	L
PASE1-3/8	GG.ASE07	GRA106-NPP-B-AS2/V	3.79	$1\frac{3}{8}$	1.874	5.118	6.772
RASE1-3/8	GG.ASE07	G1106-KRR-B-AS2/V	3.90	$1\frac{3}{8}$	1.874	5.118	6.772
RASEY1-3/8	GG.ASE07	GY1106-KRR-B-AS2/V	3.77	$1\frac{3}{8}$	1.874	5.118	6.772
PASE1-7/16	GG.ASE07	GRA107-NPP-B-AS2/V	3.75	$1\frac{7}{16}$	1.874	5.118	6.772
RASE1-7/16	GG.ASE07	G1107-KRR-B-AS2/V	3.90	$1\frac{7}{16}$	1.874	5.118	6.772
PASEY1-7/16	GG.ASE07	GAY107-NPP-B-AS2/V	3.55	$1\frac{7}{16}$	1.874	5.118	6.772
RASEY1-7/16	GG.ASE07	GY1107-KRR-B-AS2/V	3.77	$1\frac{7}{16}$	1.874	5.118	6.772
PASE1-1/2	GG.ASE08	GRA108-NPP-B-AS2/V	4.45	$1\frac{1}{2}$	1.937	5.354	7.146
RASE1-1/2	GG.ASE08	G1108-KRR-B-AS2/V	4.82	$1\frac{1}{2}$	1.937	5.354	7.146
PASEY1-1/2 ¹⁾	GG.ASE08	GAY108-NPP-B-AS2/V	4.18	$1\frac{1}{2}$	1.937	5.354	7.146
RASEY1-1/2	GG.ASE08	GY1108-KRR-B-AS2/V	4.49	$1\frac{1}{2}$	1.937	5.354	7.146
RASE1-5/8	GG.ASE09	G1110-KRR-B-AS2/V	5.44	$1\frac{5}{8}$	2.126	5.846	7.677
RASE1-11/16	GG.ASE09	G1111-KRR-B-AS2/V	5.44	$1\frac{11}{16}$	2.126	5.846	7.677
RASEY1-11/16	GG.ASE09	GY1111-KRR-B-AS2/V	5.20	$1\frac{11}{16}$	2.126	5.846	7.677
PASE1-3/4	GG.ASE09	GRA112-NPP-B-AS2/V	5.18	$1\frac{3}{4}$	2.126	5.846	7.677
RASE1-3/4	GG.ASE09	G1112-KRR-B-AS2/V	5.44	$1\frac{3}{4}$	2.126	5.846	7.677
RASEY1-3/4	GG.ASE09	GY1112-KRR-B-AS2/V	5.20	$1\frac{3}{4}$	2.126	5.846	7.677
PASE1-15/16 ¹⁾	GG.ASE10	GRA115-NPP-B-AS2/V	6.56	$1\frac{15}{16}$	2.252	6.201	7.972
RASE1-15/16	GG.ASE10	G1115-KRR-B-AS2/V	7.07	$1\frac{15}{16}$	2.252	6.201	7.972
RASEY1-15/16	GG.ASE10	GY1115-KRR-B-AS2/V	6.63	$1\frac{15}{16}$	2.252	6.201	7.972
PASE2 ¹⁾	GG.ASE11	GRA200-NPP-B-AS2/V	7.62	2	2.500	6.919	8.858
RASE2	GG.ASE11	G1200-KRR-B-AS2/V	8.96	2	2.500	6.919	8.858
RASEY2	GG.ASE11	GY1200-KRR-B-AS2/V	8.26	2	2.500	6.919	8.858
PASE2-3/16 ¹⁾	GG.ASE11	GRA203-NPP-B-AS2/V	7.62	$2\frac{3}{16}$	2.500	6.919	8.858
RASE2-3/16	GG.ASE11	G1203-KRR-B-AS2/V	8.96	$2\frac{3}{16}$	2.500	6.919	8.858
RASEY2-3/16	GG.ASE11	GY1203-KRR-B-AS2/V	8.26	$2\frac{3}{16}$	2.500	6.919	8.858
PASE2-7/16 ¹⁾	GG.ASE12	GRA207-NPP-B-AS2/V	11.46	$2\frac{7}{16}$	2.752	7.451	9.646
RASE2-7/16	GG.ASE12	G1207-KRR-B-AS2/V	12.43	$2\frac{7}{16}$	2.752	7.451	9.646
RASEY2-7/16	GG.ASE12	GY1207-KRR-B-AS2/V	11.28	$2\frac{7}{16}$	2.752	7.451	9.646
RASE2-15/16	GG.ASE15	G1215-KRR-B-AS2/V	18.62	$2\frac{15}{16}$	3.248	8.307	10.748
RASEY2-15/16	GG.ASE15	GY1215-KRR-B-AS2/V	17.61	$2\frac{15}{16}$	3.248	8.307	10.748

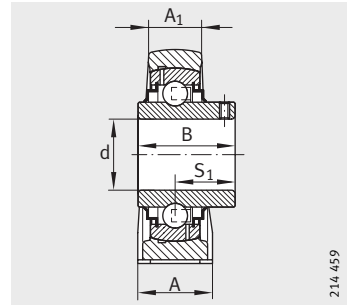
¹⁾ Subject to minimum order quantity.



RASE



PASEY

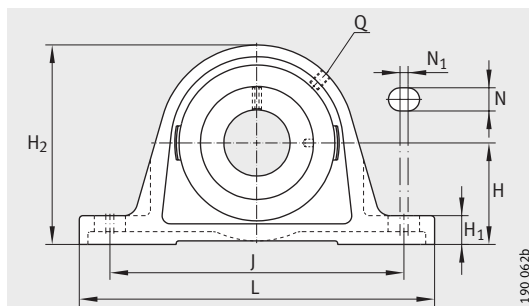


RASEY

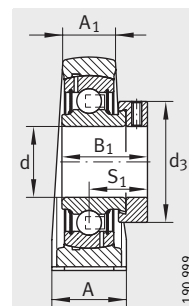
										Basic load ratings	
A	A ₁	H ₁	H ₂	N	N ₁	B/B ₁	S ₁	Q	d ₃	dyn. C _r lbf	stat. C _{0r} lbf
1.831	1.102	0.748	3.689	0.591	0.311	1.535	1.161	1/8 NPT	2.008	5 800	3 450
1.831	1.102	0.748	3.689	0.591	0.311	2.020	1.280	1/8 NPT	2.008	5 800	3 450
1.831	1.102	0.748	3.689	0.591	0.311	1.689	1.000	1/8 NPT	–	5 800	3 450
1.831	1.102	0.748	3.689	0.591	0.311	1.535	1.532	1/8 NPT	2.008	5 800	3 450
1.831	1.102	0.748	3.689	0.591	0.311	2.020	1.280	1/8 NPT	2.283	5 800	3 450
1.831	1.102	0.748	3.689	0.591	0.311	1.378	1.004	1/8 NPT	–	5 800	3 450
1.831	1.102	0.748	3.689	0.591	0.311	1.689	1.000	1/8 NPT	–	5 800	3 450
1.969	1.299	0.787	3.937	0.591	0.433	1.724	1.291	1/8 NPT	2.283	7 300	4 450
1.969	1.299	0.787	3.937	0.591	0.433	2.224	1.382	1/8 NPT	2.283	7 300	4 450
1.969	1.299	0.787	3.937	0.591	0.433	1.555	1.142	1/8 NPT	–	7 300	4 450
1.969	1.299	0.787	3.937	0.591	0.433	1.937	1.189	1/8 NPT	–	7 300	4 450
2.039	1.378	0.866	4.213	0.563	0.472	2.224	1.382	1/8 NPT	–	7 400	4 600
2.039	1.378	0.866	4.213	0.563	0.472	2.224	1.382	1/8 NPT	2.480	7 400	4 600
2.039	1.378	0.866	4.213	0.563	0.472	1.937	1.189	1/8 NPT	–	7 400	4 600
2.039	1.378	0.866	4.213	0.563	0.472	1.724	1.291	1/8 NPT	2.480	7 400	4 600
2.039	1.378	0.866	4.213	0.563	0.472	2.224	1.382	1/8 NPT	2.480	7 400	4 600
2.039	1.378	0.866	4.213	0.563	0.472	1.937	1.189	1/8 NPT	–	7 400	4 600
2.244	1.378	0.866	4.606	0.709	0.236	1.724	1.291	1/8 NPT	2.717	7 900	5 200
2.244	1.378	0.866	4.606	0.709	0.236	2.472	1.504	1/8 NPT	2.717	7 900	5 200
2.244	1.378	0.866	4.606	0.709	0.236	2.031	1.283	1/8 NPT	–	7 900	5 200
2.461	1.378	0.984	4.980	0.709	0.443	1.909	1.433	1/8 NPT	2.717	9 800	6 600
2.461	1.378	0.984	4.980	0.709	0.443	2.811	1.717	1/8 NPT	2.717	9 800	6 600
2.461	1.378	0.984	4.980	0.709	0.443	2.189	1.315	1/8 NPT	–	9 800	6 600
2.461	1.378	0.984	4.980	0.709	0.443	1.909	1.433	1/8 NPT	2.992	9 800	6 600
2.461	1.378	0.984	4.980	0.709	0.443	2.811	1.717	1/8 NPT	2.992	9 800	6 600
2.461	1.378	0.984	4.980	0.709	0.443	2.189	1.315	1/8 NPT	–	9 800	6 600
2.559	1.850	1.102	5.512	0.709	0.482	2.091	1.559	1/8 NPT	3.307	11 800	8 100
2.559	1.850	1.102	5.512	0.709	0.482	3.067	1.846	1/8 NPT	3.307	11 800	8 100
2.559	1.850	1.102	5.512	0.709	0.482	2.563	1.563	1/8 NPT	–	11 800	8 100
2.756	1.969	1.142	6.457	0.945	0.276	2.638	1.791	1/8 NPT	3.937	13 950	10 000
2.756	1.969	1.142	6.457	0.945	0.276	3.063	1.752	1/8 NPT	–	13 950	10 000

Pillow block housing units

Cast iron housings with long base
Low-section type



PAK, RAK, PAKY, RAKY

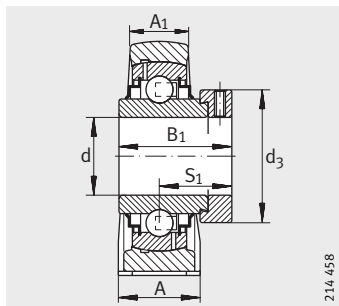


PAK

Dimension table · Dimensions in inch

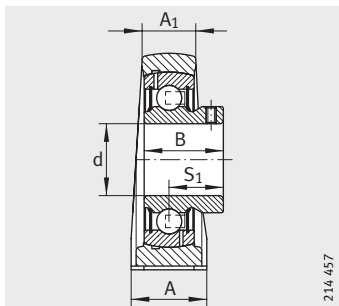
Designation	Housing	Radial insert ball bearing	Mass m ≈lbs	Dimensions			
				d	H	J	L
PAK1/2 ¹⁾	GG.AK03	GRA008-NPP-B-AS2/V	1.03	1/2	1.063	3.622	4.921
RAK1/2 ¹⁾	GG.AK03	G1008-KRR-B-AS2/V	1.10	1/2	1.063	3.622	4.921
PAKY1/2 ¹⁾	GG.AK03	GAY008-NPP-B-AS2/V	1.00	1/2	1.063	3.622	4.921
RAKY1/2	GG.AK03	GY1008-KRR-B-AS2/V	1.01	1/2	1.063	3.622	4.921
PAK5/8	GG.AK03	GRA010-NPP-B-AS2/V	1.03	5/8	1.063	3.622	4.921
RAK5/8	GG.AK03	G1010-KRR-B-AS2/V	1.06	5/8	1.063	3.622	4.921
PAKY5/8	GG.AK03	GAY010-NPP-B-AS2/V	0.97	5/8	1.063	3.622	4.921
RAKY5/8	GG.AK03	GY1010-KRR-B-AS2/V	1.00	5/8	1.063	3.622	4.921
PAK3/4	GG.AK04	GRA012-NPP-B-AS2/V	1.25	3/4	1.252	3.780	5.118
RAK3/4	GG.AK04	G1012-KRR-B-AS2/V	1.36	3/4	1.252	3.780	5.118
PAKY3/4	GG.AK04	GAY012-NPP-B-AS2/V	1.19	3/4	1.252	3.780	5.118
RAKY3/4	GG.AK04	GY1012-KRR-B-AS2/V	1.27	3/4	1.252	3.780	5.118
PAK7/8	GG.AK05	GRA014-NPP-B-AS2/V	1.61	7/8	1.313	4.085	5.500
RAK7/8	GG.AK05	G1014-KRR-B-AS2/V	1.76	7/8	1.313	4.085	5.500
RAKY7/8	GG.AK05	GY1014-KRR-B-AS2/V	1.63	7/8	1.313	4.085	5.500
PAK1	GG.AK05	GRA100-NPP-B-AS2/V	1.61	1	1.313	4.085	5.500
RAK1	GG.AK05	G1100-KRR-B-AS2/V	1.74	1	1.313	4.085	5.500
PAKY1	GG.AK05	GAY100-NPP-B-AS2/V	1.54	1	1.313	4.085	5.500
RAKY1	GG.AK05	GY1100-KRR-B-AS2/V	1.63	1	1.313	4.085	5.500
PAK1-1/8	GG.AK06	GRA102-NPP-B-AS2/V	2.60	1 1/8	1.563	4.616	6.187
RAK1-1/8	GG.AK06	G1102-KRR-B-AS2/V	2.76	1 1/8	1.563	4.616	6.187
RAKY1-1/8	GG.AK06	GY1102-KRR-B-AS2/V	2.65	1 1/8	1.563	4.616	6.187
PAK1-3/16	GG.AK06	GRA103-NPP-B-AS2/V	2.60	1 3/16	1.563	4.616	6.187
RAK1-3/16	GG.AK06	G1103-KRR-B-AS2/V	2.76	1 3/16	1.563	4.616	6.187
PAKY1-3/16 ¹⁾	GG.AK06	GAY103-NPP-B-AS2/V	2.47	1 3/16	1.563	4.616	6.187
RAKY1-3/16	GG.AK06	GY1103-KRR-B-AS2/V	2.65	1 3/16	1.563	4.616	6.187
PAK1-1/4-206	GG.AK06	GRA104-206-NPP-B-AS2/V	2.60	1 1/4	1.563	4.616	6.187
RAK1-1/4-206	GG.AK06	G1104-206-KRR-B-AS2/V	2.76	1 1/4	1.563	4.616	6.187
RAKY1-1/4-206	GG.AK06	GY1104-206-KRR-B-AS2/V	2.20	1 1/4	1.563	4.616	6.187
PAK1-1/4	GG.AK07	GRA104-NPP-B-AS2/V	3.79	1 1/4	1.811	5.118	6.772
RAK1-1/4	GG.AK07	G1104-KRR-B-AS2/V	3.90	1 1/4	1.811	5.118	6.772
PAKY1-1/4	GG.AK07	GAY104-NPP-B-AS2/V	3.55	1 1/4	1.811	5.118	6.772
RAKY1-1/4	GG.AK07	GY1104-KRR-B-AS2/V	3.77	1 1/4	1.811	5.118	6.772

¹⁾ Subject to minimum order quantity.



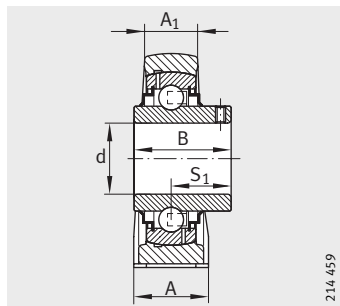
RAK

214 458



PAKY

214 457



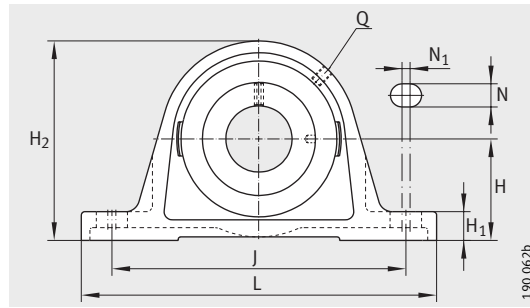
RAKY

214 459

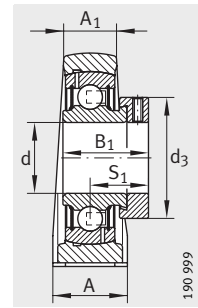
										Basic load ratings	
A	A ₁	H ₁	H ₂	N	N ₁	B/B ₁	S ₁	Q	d ₃	dyn. C _r lbf	stat. C _{0r} lbf
1.260	0.748	0.425	2.157	0.433	0.433	1.126	0.870	1/4-28 UNF	1.102	2 220	1 070
1.260	0.748	0.425	2.157	0.433	0.433	1.472	0.925	1/4-28 UNF	1.102	2 220	1 070
1.260	0.748	0.425	2.157	0.433	0.433	0.866	0.630	1/4-28 UNF	-	2 220	1 070
1.260	0.748	0.425	2.157	0.433	0.433	1.079	0.626	1/4-28 UNF	-	2 220	1 070
1.260	0.748	0.425	2.157	0.433	0.433	1.126	0.870	1/4-28 UNF	1.102	2 220	1 070
1.260	0.748	0.425	2.157	0.433	0.433	1.472	0.925	1/4-28 UNF	1.102	2 220	1 070
1.260	0.748	0.425	2.157	0.433	0.433	0.866	0.630	1/4-28 UNF	-	2 220	1 070
1.260	0.748	0.425	2.157	0.433	0.433	1.079	0.626	1/4-28 UNF	-	2 220	1 070
1.260	0.787	0.512	2.472	0.433	0.354	1.220	0.925	1/4-28 UNF	1.299	2 900	1 480
1.260	0.787	0.512	2.472	0.433	0.354	1.720	1.047	1/4-28 UNF	1.299	2 900	1 480
1.260	0.787	0.512	2.472	0.433	0.354	0.984	0.709	1/4-28 UNF	-	2 900	1 480
1.260	0.787	0.512	2.472	0.433	0.354	1,220	0.720	1/4-28 UNF	-	2 900	1 480
1.457	0.866	0.563	2.688	0.472	0.364	1.220	0.925	1/8 NPT	1.476	3 150	1 760
1.457	0.866	0.563	2.688	0.472	0.364	1.752	1.063	1/8 NPT	1.476	3 150	1 760
1.457	0.866	0.563	2.688	0.472	0.364	1.343	0.780	1/8 NPT	-	3 150	1 760
1.457	0.866	0.563	2.688	0.472	0.364	1.220	0.925	1/8 NPT	1.476	3 150	1 760
1.457	0.866	0.563	2.688	0.472	0.364	1.752	1.063	1/8 NPT	1.476	3 150	1 760
1.457	0.866	0.563	2.688	0.472	0.364	1.063	0.768	1/8 NPT	-	3 150	1 760
1.457	0.866	0.563	2.688	0.472	0.364	1,343	0.780	1/8 NPT	-	3 150	1 760
1.634	1.024	0.669	3.169	0.591	0.333	1.409	1.055	1/8 NPT	1.732	4 350	2 550
1.634	1.024	0.669	3.169	0.591	0.333	1.909	1.189	1/8 NPT	1.732	4 350	2 550
1.634	1.024	0.669	3.169	0.591	0.333	1.500	0.874	1/8 NPT	-	4 350	2 550
1.634	1.024	0.669	3.169	0.591	0.333	1.409	1.055	1/8 NPT	1.732	4 350	2 550
1.634	1.024	0.669	3.169	0.591	0.333	1.909	1.189	1/8 NPT	1.732	4 350	2 550
1.634	1.024	0.669	3.169	0.591	0.333	1.181	0.827	1/8 NPT	-	4 350	2 550
1.634	1.024	0.669	3.169	0.591	0.333	1.500	0.874	1/8 NPT	-	4 350	2 550
1.634	1.024	0.669	3.169	0.591	0.333	1.409	1.055	1/8 NPT	1.732	4 350	2 550
1.634	1.024	0.669	3.169	0.591	0.333	1.909	1.189	1/8 NPT	1.732	4 350	2 550
1.634	1.024	0.669	3.169	0.591	0.333	1.500	0.874	1/8 NPT	-	4 350	2 550
1.831	1.142	0.685	3.626	0.591	0.311	1.535	1.161	1/8 NPT	2.008	5 800	3 450
1.831	1.142	0.685	3.626	0.591	0.311	2.020	1.280	1/8 NPT	2.008	5 800	3 450
1.831	1.142	0.685	3.626	0.591	0.311	1.378	1.000	1/8 NPT	-	5 800	3 450
1.831	1.142	0.685	3.626	0.591	0.311	1,689	1.000	1/8 NPT	-	5 800	3 450

Pillow block housing units

Cast iron housings with long base
Low-section type



PAK, RAK, PAKY, RAKY

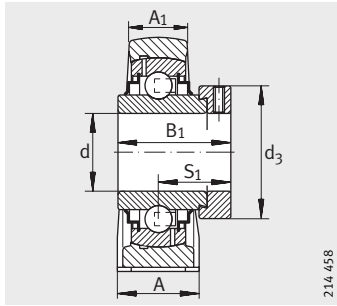


PAK

Dimension table (continued) · Dimensions in inch

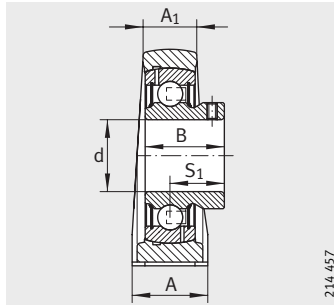
Designation	Housing	Radial insert ball bearing	Mass m ≈lbs	Dimensions			
				d	H	J	L
PAK1-3/8	GG.AK07	GRA106-NPP-B-AS2/V	3.79	$1\frac{3}{8}$	1.811	5.118	6.772
RAK1-3/8	GG.AK07	G1106-KRR-B-AS2/V	3.90	$1\frac{3}{8}$	1.811	5.118	6.772
RAKY1-3/8	GG.AK07	GY1106-KRR-B-AS2/V	3.77	$1\frac{3}{8}$	1.811	5.118	6.772
PAK1-7/16	GG.AK07	GRA107-NPP-B-AS2/V	3.75	$1\frac{7}{16}$	1.811	5.118	6.772
RAK1-7/16	GG.AK07	G1107-KRR-B-AS2/V	3.90	$1\frac{7}{16}$	1.811	5.118	6.772
PAKY1-7/16	GG.AK07	GAY107-NPP-B-AS2/V	3.55	$1\frac{7}{16}$	1.811	5.118	6.772
RAKY1-7/16	GG.AK07	GY1107-KRR-B-AS2/V	3.77	$1\frac{7}{16}$	1.811	5.118	6.772
PAK1-1/2	GG.AK08	GRA108-NPP-B-AS2/V	4.45	$1\frac{1}{2}$	1.937	5.354	7.146
RAK1-1/2	GG.AK08	G1108-KRR-B-AS2/V	4.82	$1\frac{1}{2}$	1.937	5.354	7.146
PAKY1-1/2¹⁾	GG.AK08	GAY108-NPP-B-AS2/V	4.18	$1\frac{1}{2}$	1.937	5.354	7.146
RAKY1-1/2	GG.AK08	GY1108-KRR-B-AS2/V	4.49	$1\frac{1}{2}$	1.937	5.354	7.146
RAK1-5/8	GG.AK09	G1110-KRR-B-AS2/V	5.35	$1\frac{5}{8}$	2.063	5.846	7.677
RAK1-11/16	GG.AK09	G1111-KRR-B-AS2/V	5.35	$1\frac{11}{16}$	2.063	5.846	7.677
RAKY1-11/16	GG.AK09	GY1111-KRR-B-AS2/V	5.11	$1\frac{11}{16}$	2.063	5.846	7.677
PAK1-3/4	GG.AK09	GRA112-NPP-B-AS2/V	5.09	$1\frac{3}{4}$	2.063	5.846	7.677
RAK1-3/4	GG.AK09	G1112-KRR-B-AS2/V	5.35	$1\frac{3}{4}$	2.063	5.846	7.677
RAKY1-3/4	GG.AK09	GY1112-KRR-B-AS2/V	5.11	$1\frac{3}{4}$	2.063	5.846	7.677
PAK1-15/16¹⁾	GG.AK10	GRA115-NPP-B-AS2/V	7.07	$1\frac{15}{16}$	2.189	6.201	7.972
RAK1-15/16	GG.AK10	G1115-KRR-B-AS2/V	7.07	$1\frac{15}{16}$	2.189	6.201	7.972
RAKY1-15/16	GG.AK10	GY1115-KRR-B-AS2/V	6.63	$1\frac{15}{16}$	2.189	6.201	7.972
PAK2¹⁾	GG.AK11	GRA200-NPP-B-AS2/V	7.53	2	2.437	6.919	8.858
RAK2	GG.AK11	G1200-KRR-B-AS2/V	8.87	2	2.437	6.919	8.858
RAKY2	GG.AK11	GY1200-KRR-B-AS2/V	8.17	2	2.437	6.919	8.858
RAK2-3/16	GG.AK11	G1203-KRR-B-AS2/V	8.87	$2\frac{3}{16}$	2.437	6.919	8.858
RAKY2-3/16	GG.AK11	GY1203-KRR-B-AS2/V	8.10	$2\frac{3}{16}$	2.437	6.919	8.858
PAK2-7/16¹⁾	GG.AK12	GRA207-NPP-B-AS2/V	11.24	$2\frac{7}{16}$	2.689	7.451	9.646
RAK2-7/16	GG.AK12	G1207-KRR-B-AS2/V	12.21	$2\frac{7}{16}$	2.689	7.451	9.646
RAKY2-7/16	GG.AK12	GY1207-KRR-B-AS2/V	11.06	$2\frac{7}{16}$	2.689	7.451	9.646
RAK2-15/16	GG.AK15	G1215-KRR-B-AS2/V	18.62	$2\frac{15}{16}$	3.311	8.307	10.748
RAKY2-15/16	GG.AK15	GY1215-KRR-B-AS2/V	17.61	$2\frac{15}{16}$	3.311	8.307	10.748

¹⁾ Subject to minimum order quantity.



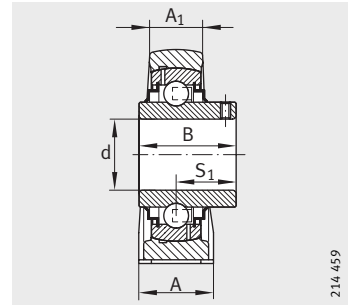
RAK

214 458



PAKY

214 457



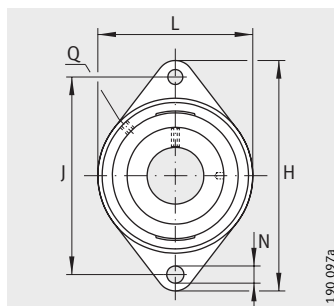
RAKY

214 459

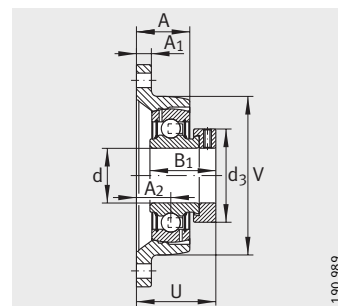
										Basic load ratings	
A	A ₁	H ₁	H ₂	N	N ₁	B/B ₁	S ₁	Q	d ₃	dyn. C _r lbf	stat. C _{0r} lbf
1.831	1.142	0.685	3.626	0.591	0.311	1.535	1.161	1/8 NPT	2.008	5 800	3 450
1.831	1.142	0.685	3.626	0.591	0.311	2.020	1.280	1/8 NPT	2.008	5 800	3 450
1.831	1.142	0.685	3.626	0.591	0.311	1.689	1.000	1/8 NPT	–	5 800	3 450
1.831	1.142	0.685	3.626	0.591	0.311	1.535	1.161	1/8 NPT	2.008	5 800	3 450
1.831	1.142	0.685	3.626	0.591	0.311	2.020	1.280	1/8 NPT	2.008	5 800	3 450
1.831	1.142	0.685	3.626	0.591	0.311	1.378	1.000	1/8 NPT	–	5 800	3 450
1.831	1.142	0.685	3.626	0.591	0.311	1.689	1.000	1/8 NPT	–	5 800	3 450
1.969	1.299	0.787	3.937	0.591	0.433	1.724	1.291	1/8 NPT	2.283	7 300	4 450
1.969	1.299	0.787	3.937	0.591	0.433	2.224	1.382	1/8 NPT	2.283	7 300	4 450
1.969	1.299	0.787	3.937	0.591	0.433	1.555	1.142	1/8 NPT	–	7 300	4 450
1.969	1.299	0.787	3.937	0.591	0.433	1.937	1.189	1/8 NPT	–	7 300	4 450
2.028	1.378	0.803	4.150	0.563	0.472	2.224	1.382	1/8 NPT	2.008	7 400	4 600
2.028	1.378	0.803	4.150	0.563	0.472	2.224	1.382	1/8 NPT	2.480	7 400	4 600
2.028	1.378	0.803	4.150	0.563	0.472	1.937	1.189	1/8 NPT	–	7 400	4 600
2.028	1.378	0.803	4.150	0.563	0.472	1.724	1.291	1/8 NPT	2.480	7 400	4 600
2.028	1.378	0.803	4.150	0.563	0.472	2.224	1.382	1/8 NPT	2.480	7 400	4 600
2.028	1.378	0.803	4.150	0.563	0.472	1.937	1.189	1/8 NPT	–	7 400	4 600
2.244	1.378	0.803	4.543	0.709	0.236	1.724	1.291	1/8 NPT	2.717	7 900	5 200
2.244	1.378	0.803	4.543	0.709	0.236	2.472	1.504	1/8 NPT	1.476	7 900	5 200
2.244	1.378	0.803	4.543	0.709	0.236	2.031	1.283	1/8 NPT	–	7 900	5 200
2.461	1.378	0.921	4.917	0.709	0.443	1.909	1.433	1/8 NPT	2.717	9 800	6 600
2.461	1.378	0.921	4.917	0.709	0.443	2.811	1.717	1/8 NPT	2.717	9 800	6 600
2.461	1.378	0.921	4.917	0.709	0.443	2.189	1.315	1/8 NPT	–	9 800	6 600
2.461	1.378	0.921	4.917	0.709	0.443	2.811	1.717	1/8 NPT	2.992	9 800	6 600
2.461	1.378	0.921	4.917	0.709	0.443	2.189	1.315	1/8 NPT	–	9 800	6 600
2.559	1.850	1.039	5.449	0.709	0.482	2.091	1.559	1/8 NPT	3.307	11 800	8 100
2.559	1.850	1.039	5.449	0.709	0.482	3.067	1.846	1/8 NPT	3.307	11 800	8 100
2.559	1.850	1.039	5.449	0.709	0.482	2.563	1.563	1/8 NPT	–	11 800	8 100
2.756	1.969	1.205	6.520	0.945	0.276	2.638	1.791	1/8 NPT	3.937	13 950	10 000
2.756	1.969	1.205	6.520	0.945	0.276	3.063	1.752	1/8 NPT	–	13 950	10 000

Two-bolt flanged housing units

Cast iron housings



PCJT, RCJT, PCJTY, RCJTY

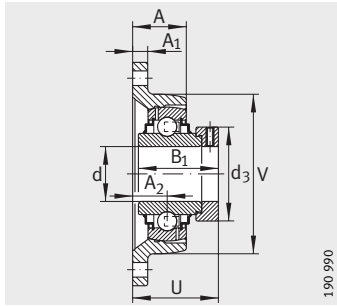


PCJT

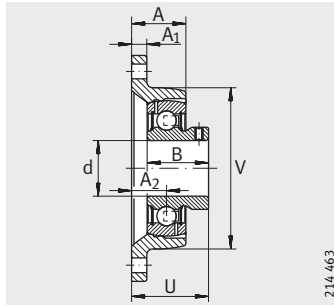
Dimension table - Dimensions in inch

Designation	Housing	Radial insert ball bearing	Mass m ≈ lbs	Dimensions			
				d	L	H	A ₁
PCJT1/2 ¹⁾	GG.CJT03	GRA008-NPP-B-AS2/V	0.83	1/2	2.244	3.898	0.394
RCJT1/2 ¹⁾	GG.CJT03	G1008-KRR-B-AS2/V	0.90	1/2	2.244	3.898	0.394
PCJTY1/2 ¹⁾	GG.CJT03	GAY008-NPP-B-AS2/V	0.79	1/2	2.244	3.898	0.394
RCJTY1/2	GG.CJT03	GY1008-KRR-B-AS2/V	0.81	1/2	2.244	3.898	0.394
PCJT5/8	GG.CJT03	GRA010-NPP-B-AS2/V	0.83	5/8	2.244	3.898	0.394
RCJT5/8	GG.CJT03	G1010-KRR-B-AS2/V	0.86	5/8	2.244	3.898	0.394
PCJTY5/8	GG.CJT03	GAY010-NPP-B-AS2/V	0.77	5/8	2.244	3.898	0.394
RCJTY5/8	GG.CJT03	GY1010-KRR-B-AS2/V	0.79	5/8	2.244	3.898	0.394
PCJT3/4	GG.CJT04	GRA012-NPP-B-AS2/V	1.08	3/4	2.441	4.409	0.433
RCJT3/4	GG.CJT04	G1012-KRR-B-AS2/V	1.19	3/4	2.441	4.409	0.433
PCJTY3/4	GG.CJT04	GAY012-NPP-B-AS2/V	1.02	3/4	2.441	4.409	0.433
RCJTY3/4	GG.CJT04	GY1012-KRR-B-AS2/V	1.10	3/4	2.441	4.409	0.433
PCJT7/8	GG.CJT05	GRA014-NPP-B-AS2/V	1.46	7/8	2.795	4.921	0.472
RCJT7/8	GG.CJT05	G1014-KRR-B-AS2/V	1.61	7/8	2.795	4.921	0.472
RCJTY7/8	GG.CJT05	GY1014-KRR-B-AS2/V	1.48	7/8	2.795	4.921	0.472
RCJT15/16	GG.CJT05	G1015-KRR-B-AS2/V	1.59	15/16	2.795	4.921	0.472
RCJTY15/16	GG.CJT05	GY1015-KRR-B-AS2/V	1.48	15/16	2.795	4.921	0.472
PCJT1	GG.CJT05	GRA100-NPP-B-AS2/V	1.46	1	2.795	4.921	0.472
RCJT1	GG.CJT05	G1100-KRR-B-AS2/V	1.59	1	2.795	4.921	0.472
PCJTY1	GG.CJT05	GAY100-NPP-B-AS2/V	1.39	1	2.795	4.921	0.472
RCJTY1	GG.CJT05	GY1100-KRR-B-AS2/V	1.47	1	2.795	4.921	0.472
PCJT1-1/8	GG.CJT06	GRA102-NPP-B-AS2/V	1.98	1 1/8	3.169	5.591	0.512
RCJT1-1/8	GG.CJT06	G1102-KRR-B-AS2/V	2.14	1 1/8	3.169	5.591	0.512
RCJTY1-1/8	GG.CJT06	GY1102-KRR-B-AS2/V	2.03	1 1/8	3.169	5.591	0.512
PCJT1-3/16	GG.CJT06	GRA103-NPP-B-AS2/V	1.98	1 3/16	3.169	5.591	0.512
RCJT1-3/16	GG.CJT06	G1103-KRR-B-AS2/V	2.14	1 3/16	3.169	5.591	0.512
PCJTY1-3/16 ¹⁾	GG.CJT06	GAY103-NPP-B-AS2/V	1.85	1 3/16	3.169	5.591	0.512
RCJTY1-3/16	GG.CJT06	GY1103-KRR-B-AS2/V	2.03	1 3/16	3.169	5.591	0.512
PCJT1-1/4-206	GG.CJT06	GRA104-206-NPP-B-AS2/V	2.14	1 1/4	3.169	5.591	0.512
RCJT1-1/4-206	GG.CJT06	G1104-206-KRR-B-AS2/V	2.14	1 1/4	3.169	5.591	0.512
RCJTY1-1/4-206	GG.CJT06	GY1104-206-KRR-B-AS2/V	2.03	1 1/4	3.169	5.591	0.512
PCJT1-1/4	GG.CJT07	GRA104-NPP-B-AS2/V	2.82	1 1/4	3.642	6.142	0.551
RCJT1-1/4	GG.CJT07	G1104-KRR-B-AS2/V	2.93	1 1/4	3.642	6.142	0.551
PCJTY1-1/4	GG.CJT07	GAY104-NPP-B-AS2/V	2.58	1 1/4	3.642	6.142	0.551
RCJTY1-1/4	GG.CJT07	GY1104-KRR-B-AS2/V	2.80	1 1/4	3.642	6.142	0.551

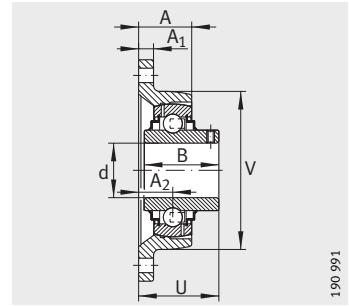
¹⁾ Subject to minimum order quantity.



RCJT



PCJT

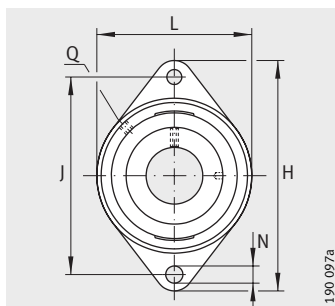


RCJT

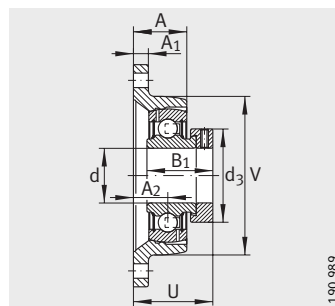
									Basic load ratings	
N	B/B ₁	J	A ₂	Q	d ₃	A	U	V	dyn. C _r lbf	stat. C _{0r} lbf
0.453	1.126	3.012	0.669	1/4-28 UNF	1.102	0.945	1.539	2.244	2 220	1 070
0.453	1.472	3.012	0.669	1/4-28 UNF	1.102	0.945	1.594	2.244	2 220	1 070
0.453	0.866	3.012	0.669	1/4-28 UNF	-	0.945	1.299	2.244	2 220	1 070
0.453	1.079	3.012	0.669	1/4-28 UNF	-	0.945	1.295	2.244	2 220	1 070
0.453	1.126	3.012	0.669	1/4-28 UNF	1.102	0.945	1.539	2.244	2 220	1 070
0.453	1.472	3.012	0.669	1/4-28 UNF	1.102	0.945	1.594	2.244	2 220	1 070
0.453	0.866	3.012	0.669	1/4-28 UNF	-	0.945	1.299	2.244	2 220	1 070
0.453	1.079	3.012	0.669	1/4-28 UNF	-	0.945	1.295	2.244	2 220	1 070
0.453	1.220	3.543	0.748	1/4-28 UNF	1.299	1.161	1.673	2.480	2 900	1 480
0.453	1.720	3.543	0.748	1/4-28 UNF	1.299	1.161	1.795	2.480	2 900	1 480
0.453	0.984	3.543	0.748	1/4-28 UNF	-	1.161	1.457	2.480	2 900	1 480
0.453	1.220	3.543	0.748	1/4-28 UNF	-	1.161	1.469	2.480	2 900	1 480
0.453	1.220	3.898	0.748	1/8 NPT	1.476	1.083	1.673	2.795	3 150	1 760
0.453	1.752	3.898	0.748	1/8 NPT	1.476	1.083	1.811	2.795	3 150	1 760
0.453	1.343	3.898	0.748	1/8 NPT	-	1.083	1.528	2.795	3 150	1 760
0.453	1.752	3.898	0.748	1/8 NPT	1.476	1.083	1.811	2.795	3 150	1 760
0.453	1.343	3.898	0.748	1/8 NPT	-	1.083	1.528	2.795	3 150	1 760
0.453	1.220	3.898	0.748	1/8 NPT	1.476	1.083	1.673	2.795	3 150	1 760
0.453	1.752	3.898	0.748	1/8 NPT	1.476	1.083	1.811	2.795	3 150	1 760
0.453	1.063	3.898	0.748	1/8 NPT	-	1.083	1.516	2.795	3 150	1 760
0.453	1.343	3.898	0.748	1/8 NPT	-	1.083	1.528	2.795	3 150	1 760
0.453	1.409	4.587	0.787	1/8 NPT	1.732	1.280	1.843	3.169	4 350	2 550
0.453	1.909	4.587	0.787	1/8 NPT	1.732	1.280	1.976	3.169	4 350	2 550
0.453	1.500	4.587	0.787	1/8 NPT	-	1.280	1.661	3.169	4 350	2 550
0.453	1.409	4.587	0.787	1/8 NPT	1.732	1.280	1.843	3.169	4 350	2 550
0.453	1.909	4.587	0.787	1/8 NPT	1.732	1.280	1.976	3.169	4 350	2 550
0.453	1.181	4.587	0.787	1/8 NPT	-	1.280	1.614	3.169	4 350	2 550
0.453	1.500	4.587	0.787	1/8 NPT	-	1.280	1.661	3.169	4 350	2 550
0.453	1.409	4.587	0.787	1/8 NPT	2.008	1.280	1.843	3.169	4 350	2 550
0.453	1.909	4.587	0.787	1/8 NPT	2.008	1.280	1.976	3.169	4 350	2 550
0.453	1.500	4.587	0.787	1/8 NPT	-	1.280	1.661	3.169	4 350	2 550
0.551	1.535	5.118	0.827	1/8 NPT	2.008	1.358	1.988	3.642	5 800	3 450
0.551	2.020	5.118	0.827	1/8 NPT	2.008	1.358	2.106	3.642	5 800	3 450
0.551	1.378	5.118	0.827	1/8 NPT	-	1.358	1.831	3.642	5 800	3 450
0.551	1.689	5.118	0.827	1/8 NPT	-	1.358	1.827	3.642	5 800	3 450

Two-bolt flanged housing units

Cast iron housings



PCJT, RCJT, PCJTY, RCJTY

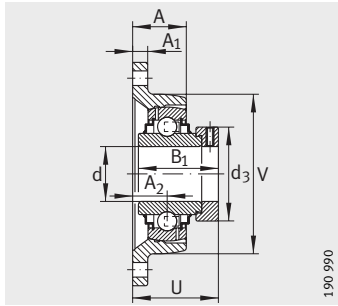


PCJT

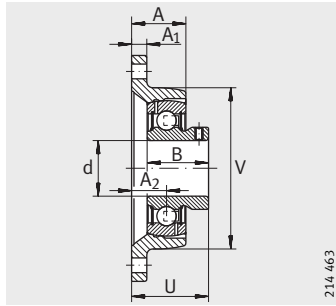
Dimension table (continued) - Dimensions in inch

Designation	Housing	Radial insert ball bearing	Mass m ≈lbs	Dimensions			
				d	L	H	A ₁
PCJT1-3/8	GG.CJT07	GRA106-NPP-B-AS2/V	2.82	1³/₈	3.642	6.142	0.551
RCJT1-3/8	GG.CJT07	G1106-KRR-B-AS2/V	2.93	1³/₈	3.642	6.142	0.551
RCJTY1-3/8	GG.CJT07	GY1106-KRR-B-AS2/V	2.80	1³/₈	3.642	6.142	0.551
PCJT1-7/16	GG.CJT07	GRA107-NPP-B-AS2/V	2.78	1⁷/₁₆	3.642	6.142	0.551
RCJT1-7/16	GG.CJT07	G1107-KRR-B-AS2/V	2.93	1⁷/₁₆	3.642	6.142	0.551
PCJTY1-7/16	GG.CJT07	GAY107-NPP-B-AS2/V	2.58	1⁷/₁₆	3.642	6.142	0.551
RCJTY1-7/16	GG.CJT07	GY1107-KRR-B-AS2/V	2.80	1⁷/₁₆	3.642	6.142	0.551
PCJT1-1/2	GG.CJT08	GRA108-NPP-B-AS2/V	3.84	1¹/₂	4.154	6.811	0.591
RCJT1-1/2	GG.CJT08	G1108-KRR-B-AS2/V	4.21	1¹/₂	4.154	6.811	0.591
PCJTY1-1/2¹⁾	GG.CJT08	GAY108-NPP-B-AS2/V	3.57	1¹/₂	4.154	6.811	0.591
RCJTY1-1/2	GG.CJT08	GY1108-KRR-B-AS2/V	3.88	1¹/₂	4.154	6.811	0.591
RCJT1-5/8	GG.CJT09	G1110-KRR-B-AS2/V	4.58	1⁵/₈	4.409	7.106	0.591
RCJT1-11/16	GG.CJT09	G1111-KRR-B-AS2/V	4.58	1¹¹/₁₆	4.409	7.106	0.591
RCJTY1-11/16	GG.CJT09	GY1111-KRR-B-AS2/V	4.34	1¹¹/₁₆	4.409	7.106	0.591
PCJT1-3/4	GG.CJT09	GRA112-NPP-B-AS2/V	4.32	1³/₄	4.409	7.106	0.591
RCJT1-3/4	GG.CJT09	G1112-KRR-B-AS2/V	4.58	1³/₄	4.409	7.106	0.591
RCJTY1-3/4	GG.CJT09	GY1112-KRR-B-AS2/V	4.34	1³/₄	4.409	7.106	0.591
PCJT1-15/16¹⁾	GG.CJT10	GRA115-NPP-B-AS2/V	4.93	1¹⁵/₁₆	4.587	7.520	0.630
RCJT1-15/16	GG.CJT10	G1115-KRR-B-AS2/V	5.44	1¹⁵/₁₆	4.587	7.520	0.630
RCJTY1-15/16	GG.CJT10	GY1115-KRR-B-AS2/V	5.00	1¹⁵/₁₆	4.587	7.520	0.630
PCJT2¹⁾	GG.CJT11	GRA200-NPP-B-AS2/V	7.07	2	5.295	8.898	0.669
RCJT2	GG.CJT11	G1200-KRR-B-AS2/V	8.41	2	5.295	8.898	0.669
RCJTY2	GG.CJT11	GY1200-KRR-B-AS2/V	7.71	2	5.295	8.898	0.669
PCJT2-3/16¹⁾	GG.CJT11	GRA203-NPP-B-AS2/V	7.07	2³/₁₆	5.295	8.898	0.669
RCJT2-3/16	GG.CJT11	G1203-KRR-B-AS2/V	8.41	2³/₁₆	5.295	8.898	0.669
RCJTY2-3/16	GG.CJT11	GY1203-KRR-B-AS2/V	7.71	2³/₁₆	5.295	8.898	0.669
PCJT2-7/16¹⁾	GG.CJT12	GRA207-NPP-B-AS2/V	8.13	2⁷/₁₆	5.512	9.409	0.709
RCJT2-7/16	GG.CJT12	G1207-KRR-B-AS2/V	9.10	2⁷/₁₆	5.512	9.409	0.709
RCJTY2-7/16	GG.CJT12	GY1207-KRR-B-AS2/V	7.95	2⁷/₁₆	5.512	9.409	0.709

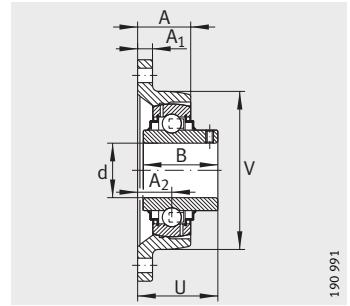
¹⁾ Subject to minimum order quantity.



RCJT



PCJT

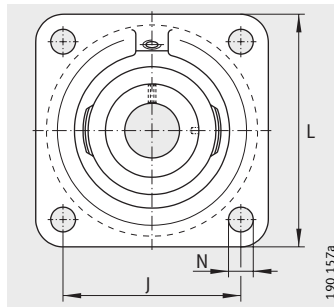


RCJT

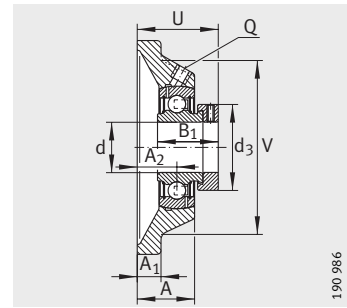
									Basic load ratings	
N	B/B ₁	J	A ₂	Q	d ₃	A	U	V	dyn. C _r lbf	stat. C _{0r} lbf
0.551	1.535	5.118	0.827	1/8 NPT	2.008	1.358	1.988	3.642	5 800	3 450
0.551	2.020	5.118	0.827	1/8 NPT	2.008	1.358	2.106	3.642	5 800	3 450
0.551	1.689	5.118	0.827	1/8 NPT	–	1.358	1.827	3.642	5 800	3 450
0.551	1.535	5.118	0.827	1/8 NPT	2.008	1.358	1.988	3.642	5 800	3 450
0.551	2.020	5.118	0.827	1/8 NPT	2.008	1.358	2.106	3.642	5 800	3 450
0.551	1.378	5.118	0.827	1/8 NPT	–	1.358	1.831	3.642	5 800	3 450
0.551	1.689	5.118	0.827	1/8 NPT	–	1.358	1.827	3.642	5 800	3 450
0.551	1.724	5.650	0.945	1/8 NPT	2.283	1.496	2.236	4.154	7 300	4 450
0.551	2.224	5.650	0.945	1/8 NPT	2.283	1.496	2.327	4.154	7 300	4 450
0.551	1.555	5.650	0.945	1/8 NPT	–	1.496	2.087	4.154	7 300	4 450
0.551	1.937	5.650	0.945	1/8 NPT	–	1.496	2.134	4.154	7 300	4 450
0.551	2.224	5.847	0.945	1/8 NPT	2.480	1.516	2.327	4.409	7 400	4 600
0.551	2.224	5.847	0.945	1/8 NPT	2.480	1.516	2.327	4.409	7 400	4 600
0.551	1.937	5.847	0.945	1/8 NPT	–	1.516	2.134	4.409	7 400	4 600
0.551	1.724	5.847	0.945	1/8 NPT	2.480	1.516	2.236	4.409	7 400	4 600
0.551	2.224	5.847	0.945	1/8 NPT	2.480	1.516	2.327	4.409	7 400	4 600
0.551	1.937	5.847	0.945	1/8 NPT	–	1.516	2.134	4.409	7 400	4 600
0.669	1.724	6.181	1.102	1/8 NPT	2.717	1.693	2.394	4.587	7 900	5 200
0.669	2.472	6.181	1.102	1/8 NPT	2.717	1.693	2.606	4.587	7 900	5 200
0.669	2.031	6.181	1.102	1/8 NPT	–	1.693	2.386	4.587	7 900	5 200
0.669	1.909	7.244	1.220	1/8 NPT	2.992	1.811	2.657	5.295	9 800	6 600
0.669	2.811	7.244	1.220	1/8 NPT	2.992	1.535	2.937	5.295	9 800	6 600
0.669	2.189	7.244	1.220	1/8 NPT	–	1.811	2.535	5.295	9 800	6 600
0.669	1.909	7.244	1.220	1/8 NPT	2.992	1.811	2.657	5.295	9 800	6 600
0.669	2.811	7.244	1.220	1/8 NPT	2.992	1.811	2.937	5.295	9 800	6 600
0.669	2.189	7.244	1.220	1/8 NPT	–	1.811	2.535	5.295	9 800	6 600
0.709	2.091	7.953	1.339	1/8 NPT	3.307	1.949	2.898	5.512	11 800	8 100
0.709	3.067	7.953	1.339	1/8 NPT	3.307	1.949	3.185	5.512	11 800	8 100
0.709	2.563	7.953	1.339	1/8 NPT	–	1.949	2.902	5.512	11 800	8 100

Four-bolt flanged housing units

Cast iron housings



PCJ, RCJ, PCJY, RCJY

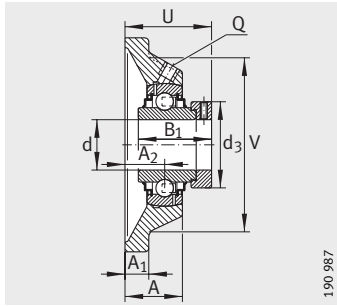


PCJ

Dimension table · Dimensions in inch

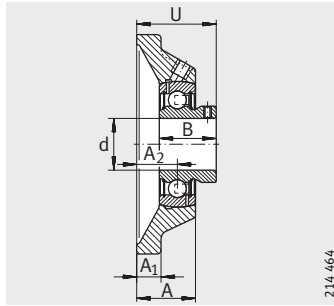
Designation	Housing	Radial insert ball bearing	Mass m ≈lbs	Dimensions			
				d	L	A ₁	N
PCJ1/2 ¹⁾	GG.CJ03	GRA008-NPP-B-AS2/V	1.01	1/2	2.992	0.394	0.453
RCJ1/2 ¹⁾	GG.CJ03	G1008-KRR-B-AS2/V	1.08	1/2	2.992	0.394	0.453
PCJY1/2 ¹⁾	GG.CJ03	GAY008-NPP-B-AS2/V	0.97	1/2	2.992	0.394	0.453
RCJY1/2	GG.CJ03	GY1008-KRR-B-AS2/V	0.99	1/2	2.992	0.394	0.453
PCJ5/8	GG.CJ03	GRA010-NPP-B-AS2/V	1.01	5/8	2.992	0.394	0.453
RCJ5/8	GG.CJ03	G1010-KRR-B-AS2/V	1.04	5/8	2.992	0.394	0.453
PCJY5/8	GG.CJ03	GAY010-NPP-B-AS2/V	0.95	5/8	2.992	0.394	0.453
RCJY5/8	GG.CJ03	GY1010-KRR-B-AS2/V	0.97	5/8	2.992	0.394	0.453
PCJ3/4	GG.CJ04	GRA012-NPP-B-AS2/V	1.50	3/4	3.386	0.453	0.453
RCJ3/4	GG.CJ04	G1012-KRR-B-AS2/V	1.61	3/4	3.386	0.453	0.453
PCJY3/4	GG.CJ04	GAY012-NPP-B-AS2/V	1.44	3/4	3.386	0.453	0.453
PCJ7/8	GG.CJ05	GRA014-NPP-B-AS2/V	1.85	7/8	3.760	0.512	0.453
RCJ7/8	GG.CJ05	G1014-KRR-B-AS2/V	2.00	7/8	3.760	0.512	0.453
RCJY7/8	GG.CJ05	GY1014-KRR-B-AS2/V	1.87	7/8	3.760	0.512	0.453
RCJ15/16	GG.CJ05	G1015-KRR-B-AS2/V	1.98	15/16	3.760	0.512	0.453
RCJY15/16	GG.CJ05	GY1015-KRR-B-AS2/V	1.87	15/16	3.760	0.512	0.453
PCJ1	GG.CJ05	GRA100-NPP-B-AS2/V	1.85	1	3.760	0.512	0.453
RCJ1	GG.CJ05	G1100-KRR-B-AS2/V	1.98	1	3.760	0.512	0.453
PCJY1	GG.CJ05	GAY100-NPP-B-AS2/V	1.78	1	3.760	0.512	0.453
RCJY1	GG.CJ05	GY1100-KRR-B-AS2/V	1.87	1	3.760	0.512	0.453
PCJ1-1/8	GG.CJ06	GRA102-NPP-B-AS2/V	2.69	1 1/8	4.272	0.512	0.453
RCJ1-1/8	GG.CJ06	G1102-KRR-B-AS2/V	2.85	1 1/8	4.272	0.512	0.453
RCJY1-1/8	GG.CJ06	GY1102-KRR-B-AS2/V	2.74	1 1/8	4.272	0.512	0.453
PCJ1-3/16	GG.CJ06	GRA103-NPP-B-AS2/V	2.69	1 3/16	4.272	0.512	0.453
RCJ1-3/16	GG.CJ06	G1103-KRR-B-AS2/V	2.85	1 3/16	4.272	0.512	0.453
PCJY1-3/16 ¹⁾	GG.CJ06	GAY103-NPP-B-AS2/V	2.56	1 3/16	4.272	0.512	0.453
RCJY1-3/16	GG.CJ06	GY1103-KRR-B-AS2/V	2.74	1 3/16	4.272	0.512	0.453
PCJ1-1/4-206	GG.CJ06	GRA104-206-NPP-B-AS2/V	2.69	1 1/4	4.272	0.512	0.453
RCJ1-1/4-206	GG.CJ06	G1104-206-KRR-B-AS2/V	2.85	1 1/4	4.272	0.512	0.453
RCJY1-1/4-206	GG.CJ06	GY1104-206-KRR-B-AS2/V	2.74	1 1/4	4.272	0.512	0.453
PCJ1-1/4	GG.CJ07	GRA104-NPP-B-AS2/V	3.59	1 1/4	4.665	0.531	0.551
RCJ1-1/4	GG.CJ07	G1104-KRR-B-AS2/V	3.70	1 1/4	4.665	0.531	0.551
PCJY1-1/4	GG.CJ07	GAY104-NPP-B-AS2/V	3.35	1 1/4	4.665	0.531	0.551
RCJY1-1/4	GG.CJ07	GY1104-KRR-B-AS2/V	3.57	1 1/4	4.665	0.531	0.551

¹⁾ Subject to minimum order quantity.



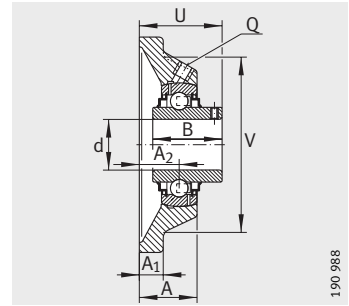
RCJ

190 987



PCJY

214 464



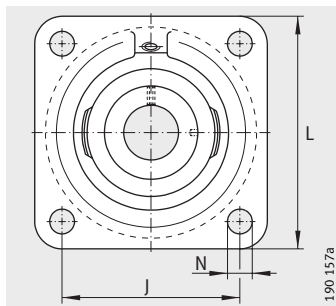
RCJY

190 988

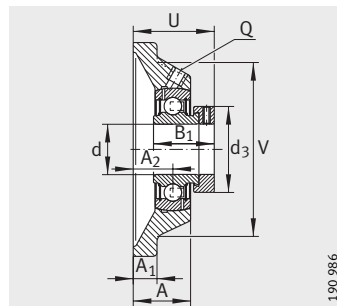
								Basic load ratings	
B/B ₁	J	A ₂	Q	d ₃	A	U	V	dyn. C _r lbf	stat. C _{0r} lbf
1.126	2.126	0.669	¹ / ₄ -28 UNF	1.102	0.945	1.539	2.323	2 200	1 070
1.472	2.126	0.669	¹ / ₄ -28 UNF	1.102	0.945	1.594	2.323	2 200	1 070
0.866	2.126	0.669	¹ / ₄ -28 UNF	–	0.945	1.299	2.323	2 200	1 070
1.079	2.126	0.669	¹ / ₄ -28 UNF	–	0.945	1.295	2.323	2 200	1 070
1.126	2.126	0.669	¹ / ₄ -28 UNF	1.102	0.945	1.539	2.323	2 200	1 070
1.472	2.126	0.669	¹ / ₄ -28 UNF	1.102	0.945	1.594	2.323	2 200	1 070
0.866	2.126	0.699	¹ / ₄ -28 UNF	–	0.945	1.299	2.323	2 200	1 070
1.079	2.126	0.669	¹ / ₄ -28 UNF	–	0.945	1.295	2.323	2 200	1 070
1.220	2.500	0.748	¹ / ₄ -28 UNF	1.299	1.142	1.673	2.756	2 900	1 480
1.720	2.500	0.748	¹ / ₄ -28 UNF	1.299	1.142	1.795	2.756	2 900	1 480
0.984	2.500	0.748	¹ / ₄ -28 UNF	–	1.161	1.457	2.756	2 900	1 480
1.220	2.756	0.748	¹ / ₈ NPT	1.476	1.201	1.673	3.150	3 150	1 760
1.752	2.756	0.748	¹ / ₈ NPT	1.476	1.201	1.811	3.150	3 150	1 760
1.343	2.756	0.748	¹ / ₈ NPT	–	1.201	1.528	3.150	3 150	1 760
1.752	2.756	0.748	¹ / ₈ NPT	1.476	1.201	1.811	3.150	3 150	1 760
1.343	2.756	0.748	¹ / ₈ NPT	–	1.201	1.528	3.150	3 150	1 760
1.220	2.756	0.748	¹ / ₈ NPT	1.476	1.201	1.673	3.150	3 150	1 760
1.752	2.756	0.748	¹ / ₈ NPT	1.476	1.201	1.811	3.150	3 150	1 760
1.063	2.756	0.748	¹ / ₈ NPT	–	1.201	1.516	3.150	3 150	1 760
1.343	2.756	0.748	¹ / ₈ NPT	–	1.201	1.528	3.150	3 150	1 760
1.409	3.248	0.787	¹ / ₈ NPT	1.732	1.260	1.843	3.701	4 350	2 550
1.909	3.248	0.787	¹ / ₈ NPT	1.732	1.260	1.976	3.701	4 350	2 550
1.500	3.248	0.787	¹ / ₈ NPT	–	1.260	1.661	3.701	4 350	2 550
1.409	3.248	0.787	¹ / ₈ NPT	1.732	1.260	1.843	3.701	4 350	2 550
1.909	3.248	0.787	¹ / ₈ NPT	1.732	1.260	1.976	3.701	4 350	2 550
1.181	3.248	0.787	¹ / ₈ NPT	–	1.260	1.614	3.701	4 350	2 550
1.500	3.248	0.787	¹ / ₈ NPT	–	1.260	1.661	3.701	4 350	2 550
1.409	3.248	0.787	¹ / ₈ NPT	2.008	1.260	1.843	3.701	4 350	2 550
1.909	3.248	0.787	¹ / ₈ NPT	2.008	1.260	1.976	3.701	4 350	2 550
1.500	3.248	0.787	¹ / ₈ NPT	–	1.260	1.661	3.701	4 350	2 550
1.535	3.622	0.827	¹ / ₈ NPT	2.008	1.358	1.988	4.094	5 800	3 450
2.020	3.622	0.827	¹ / ₈ NPT	2.008	1.358	2.106	4.094	5 800	3 450
1.378	3.622	0.827	¹ / ₈ NPT	–	1.358	1.831	4.094	5 800	3 450
1.689	3.622	0.827	¹ / ₈ NPT	–	1.358	1.827	4.094	5 800	3 450

Four-bolt flanged housing units

Cast iron housings



PCJ, RCJ, PCJY, RCJY

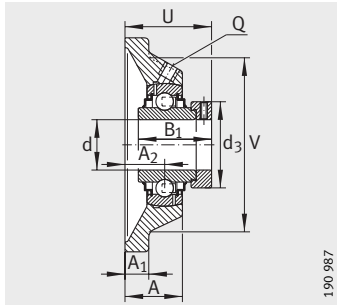


PCJ

Dimension table · Dimensions in inch

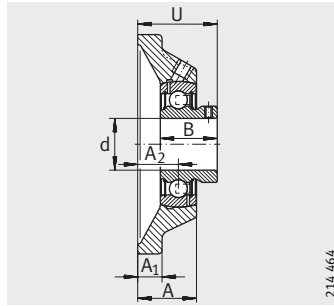
Designation	Housing	Radial insert ball bearing	Mass m ≈lbs	Dimensions			
				d	L	A ₁	N
PCJ1-3/8	GG.CJ07	GRA106-NPP-B-AS2/V	3.59	$1\frac{3}{8}$	4.665	0.531	0.551
RCJ1-3/8	GG.CJ07	G1106-KRR-B-AS2/V	3.70	$1\frac{3}{8}$	4.665	0.531	0.551
RCJY1-3/8	GG.CJ07	GY1106-KRR-B-AS2/V	3.57	$1\frac{3}{8}$	4.665	0.531	0.551
PCJ1-7/16	GG.CJ07	GRA107-NPP-B-AS2/V	3.55	$1\frac{7}{16}$	4.665	0.531	0.551
RCJ1-7/16	GG.CJ07	G1107-KRR-B-AS2/V	3.70	$1\frac{7}{16}$	4.665	0.531	0.551
PCJY1-7/16	GG.CJ07	GAY107-NPP-B-AS2/V	3.35	$1\frac{7}{16}$	4.665	0.531	0.551
RCJY1-7/16	GG.CJ07	GY1107-KRR-B-AS2/V	3.57	$1\frac{7}{16}$	4.665	0.531	0.551
PCJ1-1/2	GG.CJ08	GRA108-NPP-B-AS2/V	4.66	$1\frac{1}{2}$	5.118	0.571	0.551
RCJ1-1/2	GG.CJ08	G1108-KRR-B-AS2/V	5.02	$1\frac{1}{2}$	5.118	0.571	0.551
PCJY1-1/2 ¹⁾	GG.CJ08	GAY108-NPP-B-AS2/V	4.38	$1\frac{1}{2}$	5.118	0.571	0.551
RCJY1-1/2	GG.CJ08	GY1108-KRR-B-AS2/V	4.69	$1\frac{1}{2}$	5.118	0.571	0.551
RCJ1-5/8	GG.CJ09	G1110-KRR-B-AS2/V	5.42	$1\frac{5}{8}$	5.413	0.571	0.551
RCJ1-11/16	GG.CJ09	G1111-KRR-B-AS2/V	5.42	$1\frac{11}{16}$	5.413	0.571	0.551
RCJY1-11/16	GG.CJ09	GY1111-KRR-B-AS2/V	5.18	$1\frac{11}{16}$	5.413	0.571	0.551
PCJ1-3/4	GG.CJ09	GRA112-NPP-B-AS2/V	5.16	$1\frac{3}{4}$	5.413	0.571	0.551
RCJ1-3/4	GG.CJ09	G1112-KRR-B-AS2/V	5.42	$1\frac{3}{4}$	5.413	0.571	0.551
RCJY1-3/4	GG.CJ09	GY1112-KRR-B-AS2/V	5.18	$1\frac{3}{4}$	5.413	0.571	0.551
PCJ1-15/16 ¹⁾	GG.CJ10	GRA115-NPP-B-AS2/V	5.86	$1\frac{15}{16}$	5.630	0.591	0.669
RCJ1-15/16	GG.CJ10	G1115-KRR-B-AS2/V	6.37	$1\frac{15}{16}$	5.630	0.591	0.669
RCJY1-15/16	GG.CJ10	GY1115-KRR-B-AS2/V	5.93	$1\frac{15}{16}$	5.630	0.591	0.669
PCJ2 ¹⁾	GG.CJ11	GRA200-NPP-B-AS2/V	7.51	2	6.398	0.669	0.669
RCJ2	GG.CJ11	G1200-KRR-B-AS2/V	8.85	2	6.398	0.669	0.669
RCJY2	GG.CJ11	GY1200-KRR-B-AS2/V	8.15	2	6.398	0.669	0.669
PCJ2-3/16 ¹⁾	GG.CJ11	GRA203-NPP-B-AS2/V	7.51	$2\frac{3}{16}$	6.398	0.669	0.669
RCJ2-3/16	GG.CJ11	G1203-KRR-B-AS2/V	8.85	$2\frac{3}{16}$	6.398	0.669	0.669
RCJY2-3/16	GG.CJ11	GY1203-KRR-B-AS2/V	8.15	$2\frac{3}{16}$	6.398	0.669	0.669
PCJ2-7/16 ¹⁾	GG.CJ12	GRA207-NPP-B-AS2/V	9.91	$2\frac{7}{16}$	6.909	0.689	0.709
RCJ2-7/16	GG.CJ12	G1207-KRR-B-AS2/V	10.88	$2\frac{7}{16}$	6.909	0.689	0.709
RCJY2-7/16	GG.CJ12	GY1207-KRR-B-AS2/V	9.73	$2\frac{7}{16}$	6.909	0.689	0.709
RCJ2-15/16	GG.CJ15	G1215-KRR-B-AS2/V	13.55	$2\frac{15}{16}$	7.874	0.866	0.906
RCJY2-15/16	GG.CJ15	GY1215-KRR-B-AS2/V	12.54	$2\frac{15}{16}$	7.874	0.866	0.906

¹⁾ Subject to minimum order quantity.



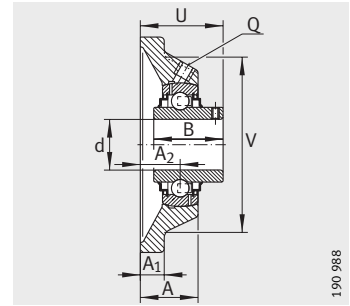
RCJ

190 987



PCJY

214 464



RCJY

190 988

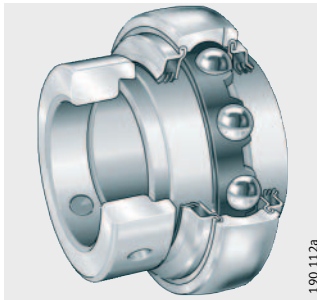
								Basic load ratings	
B/B ₁	J	A ₂	Q	d ₃	A	U	V	dyn. C _r lbf	stat. C _{0r} lbf
1.535	3.622	0.827	1/8 NPT	2.008	1.358	1.988	4.094	5 800	3 450
2.020	3.622	0.827	1/8 NPT	2.008	1.358	2.106	4.094	5 800	3 450
1.689	3.622	0.827	1/8 NPT	–	1.358	1.827	4.094	5 800	3 450
1.535	3.622	0.827	1/8 NPT	2.008	1.358	1.988	4.094	5 800	3 450
2.020	3.622	0.827	1/8 NPT	2.008	1.358	2.106	4.094	5 800	3 450
1.378	3.622	0.827	1/8 NPT	–	1.358	1.831	4.094	5 800	3 450
1.689	3.622	0.827	1/8 NPT	–	1.358	1.827	4.094	5 800	3 450
1.724	3.996	0.945	1/8 NPT	2.283	1.496	2.236	4.567	7 300	4 450
2.224	3.996	0.945	1/8 NPT	2.283	1.496	2.327	4.567	7 300	4 450
1.555	3.996	0.945	1/8 NPT	–	1.496	2.087	4.567	7 300	4 450
1.937	3.996	0.945	1/8 NPT	–	1.496	2.134	4.567	7 300	4 450
2.224	4.134	0.945	1/8 NPT	2.480	1.496	2.327	4.764	7 400	4 600
2.224	4.134	0.945	1/8 NPT	2.480	1.496	2.327	4.764	7 400	4 600
1.937	4.134	0.945	1/8 NPT	–	1.496	2.134	4.764	7 400	4 600
1.721	4.134	0.945	1/8 NPT	2.480	1.496	2.236	4.764	7 400	4 600
2.224	4.134	0.945	1/8 NPT	2.480	1.496	2.327	4.764	7 400	4 600
1.937	4.134	0.945	1/8 NPT	–	1.496	2.134	4.764	7 400	4 600
1.721	4.370	1.102	1/8 NPT	2.717	1.654	2.394	4.961	7 900	5 200
2.472	4.370	1.102	1/8 NPT	2.717	1.654	2.606	4.961	7 900	5 200
2.032	4.370	1.102	1/8 NPT	–	1.654	2.386	4.961	7 900	5 200
1.909	5.118	1.221	1/8 NPT	2.992	1.850	2.657	5.394	9 800	6 600
2.811	5.118	1.221	1/8 NPT	2.992	1.850	2.937	5.394	9 800	6 600
2.189	5.118	1.221	1/8 NPT	–	1.850	2.535	5.394	9 800	6 600
1.909	5.118	1.221	1/8 NPT	2.992	1.850	2.657	5.394	9 800	6 600
2.811	5.118	1.221	1/8 NPT	2.992	1.850	2.937	5.394	9 800	6 600
2.189	5.118	1.221	1/8 NPT	–	1.850	2.535	5.394	9 800	6 600
2.091	5.630	1.339	1/8 NPT	3.307	1.929	2.898	5.866	11 800	8 100
3.067	5.630	1.339	1/8 NPT	3.307	1.929	3.185	5.866	11 800	8 100
2.563	5.630	1.339	1/8 NPT	–	1.929	2.902	5.866	11 800	8 100
2.638	6.024	1.626	1/8 NPT	3.937	2.244	3.417	6.693	13 950	10 000
3.063	6.024	1.626	1/8 NPT	–	2.244	3.378	6.693	13 950	10 000

Other products Radial insert ball bearings

With eccentric locking collar

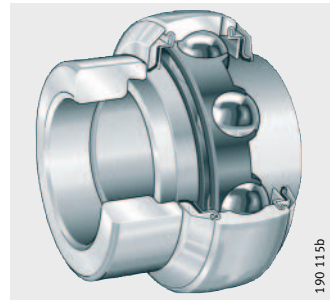
Spherical outer ring
Triple lip seal (KTT) or
Additional flinger shield (2C)

GE..-KTT-B



190.112a

GE..-KRR-B-2C



190.115b

Self-aligning deep groove ball bearings

Spherical outer ring
with square or hexagonal bore

GVK..-KTT-B, VK..-KTT-B



190.198

SK..-KRR-B



190.199b

Deep groove ball bearings with extended inner ring

Cylindrical outer ring

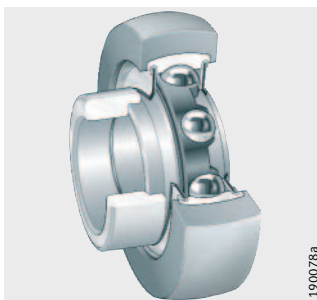
2..-KRR, 2..-KRR-AH



190.226a

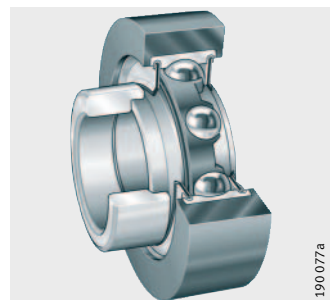
With rubber interliner

RABRA, RABRB



190078a

RCSMA, RCSMB

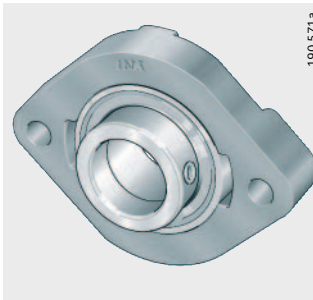


190.077a

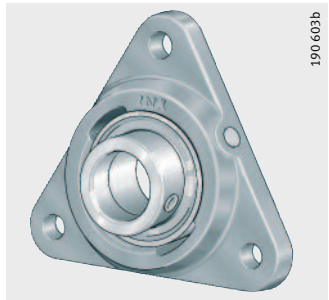
Other products Housing units

Cast iron housings

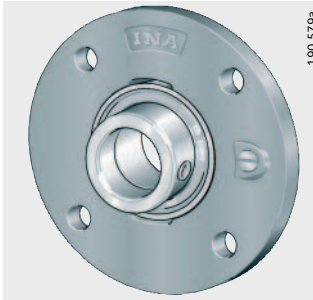
FLCTE, FLCTEY, GLCTE



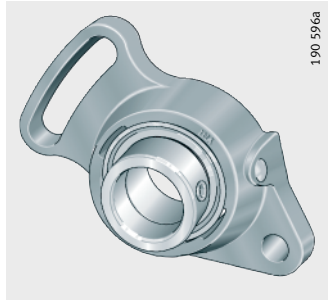
PCFTR



**PME, PMEY, RME, RMEY,
RMEO, TME**

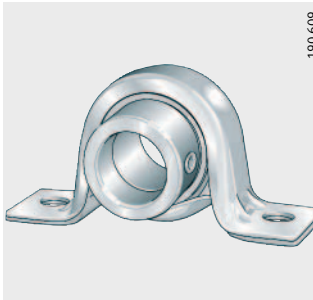


PSFT

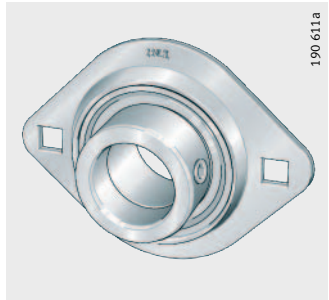


Sheet steel housings

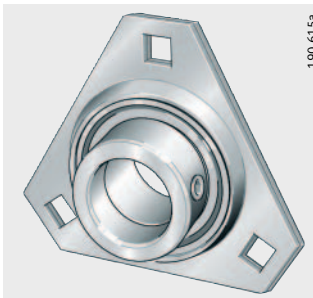
PB, PBY, RPB



RAT, RATY, RALT, PCSLT



RATR, RALTR, RRTR, RATRY



RA, RAY, RRY, GRA, GRRY



Other products **Roller chain idler sprocket units, idler pulley units**

**Roller chain
idler sprocket units**
Sprocket made from steel or
sintered iron

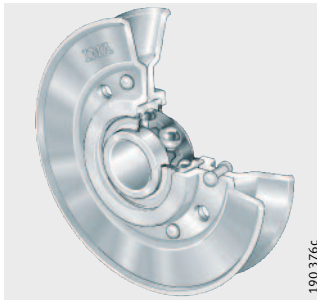
KSR...-L0



190.373c

Idler pulley units

RSRA...-L0, RSRA...-K0



190.376c

Schaeffler Canada Inc.

2871 Plymouth Drive
Oakville, Ontario L6H 5S5
Telephone +1 905 829 2750
Fax +1 905 829 2563

Schaeffler Group USA Inc.

308 Springhill Farm Road
Fort Mill, South Carolina 29715

Every care has been taken to ensure the correctness of the information contained in this publication but no liability can be accepted for any errors or omissions.

We reserve the right to make changes in the interest of technical progress.

© Schaeffler KG · 2006, June

This publication or parts thereof may not be reproduced without our permission.

TPI 127